

If you have questions or comments, contact us.
 Pour toute question ou tout commentaire, nous contacter.
 Si tiene dudas o comentarios, contáctenos.

1-800-4-DEWALT • www.dewalt.com

INSTRUCTION MANUAL
 GUIDE D'UTILISATION
 MANUAL DE INSTRUCCIONES

INSTRUCTIVO DE OPERACIÓN, CENTROS DE SERVICIO Y PÓLIZA DE
 GARANTÍA. **ADVERTENCIA:** LEÁSE ESTE INSTRUCTIVO ANTES DE
 USAR EL PRODUCTO.

DEWALT®

DW217, DW222, DW223G, DW235G, DW245, DW246

Drills
 Perceuses
 Taladros

DEWALT Industrial Tool Co., 701 East Joppa Road, Towson, MD 21286
 (APR15) Part No. N438727 DW217, DW222, etc.
 Copyright © 2002, 2004, 2005, 2007, 2013, 2015 DEWALT

The following are trademarks for one or more DEWALT power tools: the yellow and black color scheme; the "D" shaped air intake grill; the array of pyramids on the handgrip; the kit box configuration; and the array of lozenge-shaped humps on the surface of the tool.

Definitions: Safety Guidelines

The definitions below describe the level of severity for each signal word. Please read the manual and pay attention to these symbols.

▲ DANGER: Indicates an imminently hazardous situation which, if not avoided, **will** result in **death or serious injury**.

▲ WARNING: Indicates a potentially hazardous situation which, if not avoided, **could** result in **death or serious injury**.

▲ CAUTION: Indicates a potentially hazardous situation which, if not avoided, **may** result in **minor or moderate injury**.

NOTICE: Indicates a practice **not related to personal injury** which, if not avoided, **may** result in **property damage**.

IF YOU HAVE ANY QUESTIONS OR COMMENTS ABOUT THIS OR ANY DEWALT TOOL, CALL US TOLL FREE AT: **1-800-4-DEWALT (1-800-433-9258)**.

WARNING: To reduce the risk of injury, read the instruction manual.

General Power Tool Safety Warnings

WARNING! Read all safety warnings and all instructions. Failure to follow the warnings and instructions may result in electric shock, fire and/or serious injury.

SAVE ALL WARNINGS AND INSTRUCTIONS FOR FUTURE REFERENCE

The term "power tool" in the warnings refers to your mains-operated (corded) power tool or battery-operated (cordless) power tool.

1) WORK AREA SAFETY

- Keep work area clean and well lit.** Cluttered or dark areas invite accidents.
- Do not operate power tools in explosive atmospheres, such as in the presence of flammable liquids, gases or dust.** Power tools create sparks which may ignite the dust or fumes.
- Keep children and bystanders away while operating a power tool.** Distractions can cause you to lose control.

2) ELECTRICAL SAFETY

- Power tool plugs must match the outlet. Never modify the plug in any way. Do not use any adapter plugs with earthed (grounded) power tools.** Unmodified plugs and matching outlets will reduce risk of electric shock.
- Avoid body contact with earthed or grounded surfaces such as pipes, radiators, ranges and refrigerators.** There is an increased risk of electric shock if your body is earthed or grounded.
- Do not expose power tools to rain or wet conditions.** Water entering a power tool will increase the risk of electric shock.
- Do not abuse the cord. Never use the cord for carrying, pulling or unplugging the power tool. Keep cord away from heat, oil, sharp edges or moving parts.** Damaged or entangled cords increase the risk of electric shock.
- When operating a power tool outdoors, use an extension cord suitable for outdoor use.** Use of a cord suitable for outdoor use reduces the risk of electric shock.
- If operating a power tool in a damp location is unavoidable, use a ground fault circuit interrupter (GFCI) protected supply.** Use of a GFCI reduces the risk of electric shock.

3) PERSONAL SAFETY

- Stay alert, watch what you are doing and use common sense when operating a power tool. Do not use a power tool while you are tired or under the influence of drugs, alcohol or medication.** A moment of inattention while operating power tools may result in serious personal injury.

- Use personal protective equipment. Always wear eye protection.** Protective equipment such as dust mask, non-skid safety shoes, hard hat, or hearing protection used for appropriate conditions will reduce personal injuries.
- Prevent unintentional starting. Ensure the switch is in the off position before connecting to power source and/or battery pack, picking up or carrying the tool.** Carrying power tools with your finger on the switch or energizing power tools that have the switch on invites accidents.
- Remove any adjusting key or wrench before turning the power tool on.** A wrench or a key left attached to a rotating part of the power tool may result in personal injury.
- Do not overreach. Keep proper footing and balance at all times.** This enables better control of the power tool in unexpected situations.
- Dress properly. Do not wear loose clothing or jewelry. Keep your hair, clothing and gloves away from moving parts.** Loose clothes, jewelry or long hair can be caught in moving parts.
- If devices are provided for the connection of dust extraction and collection facilities, ensure these are connected and properly used.** Use of dust collection can reduce dust-related hazards.

4) POWER TOOL USE AND CARE

- Do not force the power tool. Use the correct power tool for your application.** The correct power tool will do the job better and safer at the rate for which it was designed.
- Do not use the power tool if the switch does not turn it on and off.** Any power tool that cannot be controlled with the switch is dangerous and must be repaired.
- Disconnect the plug from the power source and/or the battery pack from the power tool before making any adjustments, changing accessories, or storing power tools.** Such preventive safety measures reduce the risk of starting the power tool accidentally.
- Store idle power tools out of the reach of children and do not allow persons unfamiliar with the power tool or these instructions to operate the power tool.** Power tools are dangerous in the hands of untrained users.
- Maintain power tools. Check for misalignment or binding of moving parts, breakage of parts and any other condition that may affect the power tool's operation. If damaged, have the power tool repaired before use.** Many accidents are caused by poorly maintained power tools.
- Keep cutting tools sharp and clean.** Properly maintained cutting tools with sharp cutting edges are less likely to bind and are easier to control.
- Use the power tool, accessories and tool bits, etc. in accordance with these instructions, taking into account the working conditions and the work to be performed.** Use of the power tool for operations different from those intended could result in a hazardous situation.

5) SERVICE

- Have your power tool serviced by a qualified repair person using only identical replacement parts.** This will ensure that the safety of the power tool is maintained.

Additional Safety Rules

- Use auxiliary handle(s), if supplied with the tool.** Loss of control can cause personal injury.
- Hold power tool by insulated gripping surfaces, when performing an operation where the cutting accessory may contact hidden wiring or its own cord.** Cutting accessory contacting a "live" wire may make exposed metal parts of the power tool "live" and could give the operator an electric shock.
- Use clamps or other practical way to secure and support the workpiece to a stable platform.** Holding the work by hand or against your body is unstable and may lead to loss of control.
- Keep handles dry, clean, free from oil and grease.** It is recommended to use rubber gloves. This will enable better control.
- Air vents often cover moving parts and should be avoided.** Loose clothes, jewelry or long hair can be caught in moving parts.
- An extension cord must have adequate wire size (AWG or American Wire Gauge) for safety.** The smaller the gauge number of the wire, the greater the capacity of the cable, that is 16 gauge has more capacity than 18 gauge. An undersized cord will cause a drop in line voltage resulting in loss of power and overheating. When using more than one extension to make up the total length, be sure each individual extension contains at least the minimum wire size. The following table shows the correct size to use depending on cord length and nameplate ampere rating. If in doubt, use the next heavier gauge. The smaller the gauge number, the heavier the cord.

Ampere Rating		Minimum Gauge for Cord Sets				
		Volts	Total Length of Cord in Feet (meters)			
More Than	Not More Than	120 V	25 (7.6)	50 (15.2)	100 (30.5)	150 (45.7)
		240 V	50 (15.2)	100 (30.5)	200 (61.0)	300 (91.4)
		AWG				
0	6		18	16	16	14
6	10		18	16	14	12
10	12		16	16	14	12
12	16		14	12	Not Recommended	

▲ WARNING: ALWAYS use safety glasses. Everyday eyeglasses are NOT safety glasses. Also use face or dust mask if cutting operation is dusty. ALWAYS WEAR CERTIFIED SAFETY EQUIPMENT:

- ANSI Z87.1 eye protection (CAN/CSA Z94.3),
- ANSI S12.6 (S3.19) hearing protection,
- NIOSH/OSHA/MSHA respiratory protection.

▲ WARNING: Some dust created by power sanding, sawing, grinding, drilling, and other construction activities contains chemicals known to the State of California to cause cancer, birth defects or other reproductive harm. Some examples of these chemicals are:

- lead from lead-based paints,
- crystalline silica from bricks and cement and other masonry products, and
- arsenic and chromium from chemically-treated lumber.

Your risk from these exposures varies, depending on how often you do this type of work. To reduce your exposure to these chemicals: work in a well ventilated area, and work with approved safety equipment, such as those dust masks that are specially designed to filter out microscopic particles.

- Avoid prolonged contact with dust from power sanding, sawing, grinding, drilling, and other construction activities. Wear protective clothing and wash exposed areas with soap and water.** Allowing dust to get into your mouth, eyes, or lay on the skin may promote absorption of harmful chemicals.

▲ WARNING: Use of this tool can generate and/or disperse dust, which may cause serious and permanent respiratory or other injury. Always use NIOSH/OSHA approved respiratory protection appropriate for the dust exposure. Direct particles away from face and body.

▲ WARNING: Always wear proper personal hearing protection that conforms to ANSI S12.6 (S3.19) during use. Under some conditions and duration of use, noise from this product may contribute to hearing loss.

- The label on your tool may include the following symbols. The symbols and their definitions are as follows:

V.....volts	A.....amperes
Hz.....hertz	W.....watts
min.....minutes	~ or AC.....alternating current
==== or DC.....direct current	⎓ or AC/DC.....alternating or direct current
Ⓛ.....Class I Construction (grounded)	n ₀no load speed
Ⓜ.....Class II Construction (double insulated)	n.....rated speed
.../min.....per minute	⊕.....earthing terminal
IPM.....impacts per minute	▲.....safety alert symbol
SPM.....strokes per minute	BPM.....beats per minute
	RPM.....revolutions per minute
	sfpm.....surface feet per minute

SAVE THESE INSTRUCTIONS FOR FUTURE USE

Motor

Be sure your power supply agrees with the nameplate marking. Voltage decrease of more than 10% will cause loss of power and overheating. DEWALT tools are factory tested; if this tool does not operate, check power supply.

COMPONENTS (Fig. 1–4)

⚠WARNING: Never modify the power tool or any part of it. Damage or personal injury could result.

- A. Trigger switch
- B. Locking button
- C. Reversing lever
- D. Lock-out key
- E. Spindle lock button

INTENDED USE

These heavy-duty drills are designed for professional drilling applications. **DO NOT** use under wet conditions or in presence of flammable liquids or gases.

These heavy-duty drills are professional power tools. **DO NOT** let children come into contact with the tool. Supervision is required when inexperienced operators use this tool.

Motor Brushes

DEWALT uses an advanced brush system which automatically stops the drill when the brushes wear out. This prevents serious damage to the motor.

Switch (Fig. 1)

To start drill, depress trigger switch; to stop the drill, release trigger. To lock trigger in the on position for continuous operation, depress trigger and push up locking button (B), then gently release the trigger. To release the locking mechanism, depress the trigger fully, then release it. Before using the tool each time, be sure that the locking button release mechanism is working freely.

Do not lock the switch on when drilling by hand so that you can instantly release the trigger switch if the bit binds in the hole.

The locking button is for use only when the drill is mounted in a drill press stand or otherwise held stationary.

Be sure to release the locking button before disconnecting the plug from the power supply. Failure to do so will cause the tool to start immediately the next time it is plugged in. Damage or injury could result.

VARIABLE SPEED TRIGGER SWITCH

This switch permits speed control: the farther the trigger is depressed, the higher the speed of the drill.

NOTE: Use lower speeds for starting holes without a center punch, drilling in metal or plastics, driving screws or drilling ceramics. Higher speeds are better for drilling wood and composition boards, and for using abrasive and polishing accessories.

REVERSING LEVER

The reversing lever changes the direction of rotation of the drill and is used when backing out screws and jammed drill bits. To operate the tool in reverse, release the trigger switch and push the lever to the left (when viewed from the chuck end) as shown in Figure 2. To operate the drill in forward for drilling holes or driving screws (as well as when using other accessories) release the trigger switch and push the lever to the right (when viewed from the chuck end).

Return the reversing lever to the forward position after all operations in reverse are completed.

SWITCH LOCK-ON

Your drill is equipped with a switch lock-on feature. If you wish to disable this feature, take your tool to any authorized service center. The service center can provide a lock-out key (D) to prevent the unit from being locked in the on position (Fig. 3).

OPERATION

⚠WARNING: To reduce the risk of injury, turn unit off and disconnect it from power source before installing and removing accessories, before adjusting or when making repairs. An accidental start-up can cause injury.

⚠WARNING: To reduce the risk of personal injury, ALWAYS ensure workpiece is anchored or clamped firmly. If drilling thin material, use a wood "back-up" block to prevent damage to the material.

Side Handle

⚠WARNING: To reduce the risk of personal injury, ALWAYS operate the tool with the side handle properly installed and tightened. Failure to do so may result in the side handle slipping during tool operation and subsequent loss of control. Hold tool with both hands to maximize control.

A side handle may be supplied with your drill. Side handles are included with these drills: DW235G, DW245, DW246. The side handle clamps to the front of the gear case and can be rotated 360 degrees to permit right- or left-hand use.

Drilling

1. Use sharp drill bits only. For WOOD, use the low speed setting and twist drill bits, spade bits, power auger bits, or hole saws. For METAL, use the low speed setting and steel twist drill bits or hole saws. For MASONRY, such as brick, cement, cinder block, etc., use carbide-tipped bits rated for percussion drilling. Use low speed for bits greater than 3/8" (10 mm).
 2. Always apply pressure in a straight line with the bit. Use enough pressure to keep drill biting, but do not push hard enough to stall the motor or deflect the bit.
 3. Hold tool firmly with both hands to control the twisting action of the drill.
- ⚠WARNING:** Drill may stall if overloaded causing a sudden twist. Always expect the stall. Grip the drill firmly with both hands to control the twisting action and avoid injury.
4. **IF DRILL STALLS**, it is usually because it is being overloaded or improperly used. **RELEASE TRIGGER IMMEDIATELY**, remove drill bit from work, and determine cause of stalling. **DO NOT CLICK TRIGGER ON AND OFF IN AN ATTEMPT TO START A STALLED DRILL — THIS CAN DAMAGE THE DRILL.**
 5. To minimize stalling or breaking through the material, reduce pressure on drill and ease the bit through the last fractional part of the hole.
 6. Keep the motor running when pulling the bit back out of a drilled hole. This will help prevent jamming.
 7. With variable speed drills there is no need to center punch the point to be drilled. Use a slow speed to start the hole and accelerate by squeezing the trigger harder when the hole is deep enough to drill without the bit skipping out.

DRILLING IN METAL

Start drilling with slow speed and increase to full power while applying firm pressure on the tool. A smooth even flow of metal chips indicates the proper drilling rate. Use a cutting lubricant when drilling metals. The exceptions are cast iron and brass which should be drilled dry.

NOTE: Large [5/16" (8 mm) to 1/2" (13 mm)] holes in steel can be made easier if a pilot hole [5/32" (4 mm) to 3/16" (5 mm)] is drilled first.

DRILLING IN WOOD

Start drilling with slow speed and increase to full power while applying firm pressure on the tool. Holes in wood can be made with the same twist drills used for metal. These bits may overheat unless pulled out frequently to clear chips from the flutes. Work that is apt to splinter should be backed up with a block of wood.

DRILLING IN MASONRY

When drilling in masonry, use carbide-tipped bits rated for percussion drilling and be certain that the bits are sharp. Use a constant and firm force on the tool to drill most effectively. A smooth, even flow of dust indicates the proper drilling rate.

Keyed Chucks

Open chuck jaws by turning collar with fingers and insert shank of bit about 3/4" into chuck. Tighten chuck collar by hand. Place chuck key in each of the three holes, and tighten in CLOCKWISE direction. It's important to tighten chuck with all three holes to prevent slippage. To release bit, turn chuck key COUNTERCLOCKWISE in just one hole, then loosen the chuck by hand. Any authorized DEWALT service center can install a keyless chuck in place of a keyed chuck.

Keyless Chucks

Open chuck jaws by turning plastic collar with fingers and insert shank of bit about 3/4" into chuck. Tighten plastic collar CLOCKWISE while depressing spindle lock button (E) on the right side of the tool housing (Fig. 4). To release bit, turn plastic collar COUNTERCLOCKWISE while depressing the spindle lock button (Fig. 4).

NOTE: DO NOT DEPRESS LOCK BUTTON WHILE OPERATING DRILL or while the chuck is moving.

MAINTENANCE

⚠WARNING: To reduce the risk of injury, turn unit off and disconnect it from power source before installing and removing accessories, before adjusting or when making repairs. An accidental start-up can cause injury.

FIG. 1

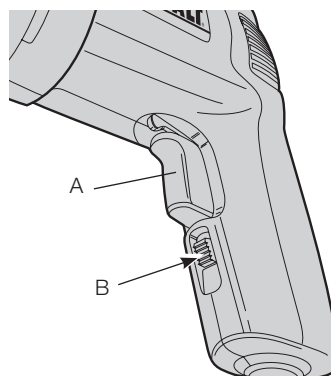
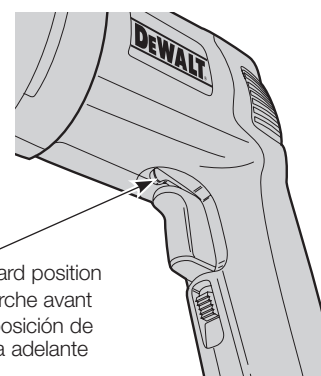


FIG. 2



shown in forward position
illustré en marche avant
illustrada en posición de
marcha hacia adelante

FIG. 3

SWITCH ASSEMBLY
INTERRUPTEUR
MONTAJE DEL INTERRUPTOR

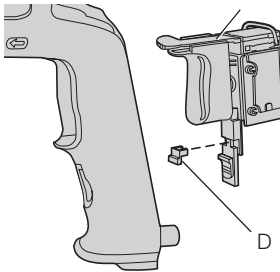
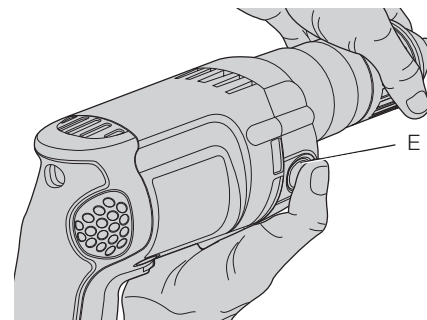


FIG. 4



Cleaning

⚠WARNING: Blow dirt and dust out of all air vents with clean, dry air at least once a week. To minimize the risk of eye injury, always wear ANSI Z87.1 approved eye protection when performing this.

⚠WARNING: Never use solvents or other harsh chemicals for cleaning the non-metallic parts of the tool. These chemicals may weaken the plastic materials used in these parts. Use a cloth dampened only with water and mild soap. Never let any liquid get inside the tool; never immerse any part of the tool into a liquid.

Lubrication

Self-lubricating bearings are used in the tool and periodic relubrication is not required. In the unlikely event that service is ever needed, take your tool to an authorized service location.

Accessories

⚠WARNING: Since accessories, other than those offered by DEWALT, have not been tested with this product, use of such accessories with this tool could be hazardous. To reduce the risk of injury, only DEWALT recommended accessories should be used with this product.

Recommended accessories for use with your tool are available at extra cost from your local dealer or authorized service center. If you need assistance in locating any accessory, please contact DEWALT Industrial Tool Co., 701 East Joppa Road, Towson, MD 21286, call 1-800-4-DEWALT (1-800-433-9258) or visit our website: www.dewalt.com.

Repairs

To assure product SAFETY and RELIABILITY, repairs, maintenance and adjustment (including brush inspection and replacement) should be performed by a DEWALT factory service center, a DEWALT authorized service center or other qualified service personnel. Always use identical replacement parts.

Register Online

Thank you for your purchase. Register your product now for:

- **WARRANTY SERVICE:** Registering your product will help you obtain more efficient warranty service in case there is a problem with your product.
- **CONFIRMATION OF OWNERSHIP:** In case of an insurance loss, such as fire, flood or theft, your registration of ownership will serve as your proof of purchase.
- **FOR YOUR SAFETY:** Registering your product will allow us to contact you in the unlikely event a safety notification is required under the Federal Consumer Safety Act.

Register online at www.dewalt.com/register.

Three Year Limited Warranty

DEWALT will repair, without charge, any defects due to faulty materials or workmanship for three years from the date of purchase. This warranty does not cover part failure due to normal wear or tool abuse. For further detail of warranty coverage and warranty repair information, visit www.dewalt.com or call 1-800-4-DEWALT (1-800-433-9258). This warranty does not apply to accessories or damage caused where repairs have been made or attempted by others. This warranty gives you specific legal rights and you may have other rights which vary in certain states or provinces.

In addition to the warranty, DEWALT tools are covered by our:

1 YEAR FREE SERVICE

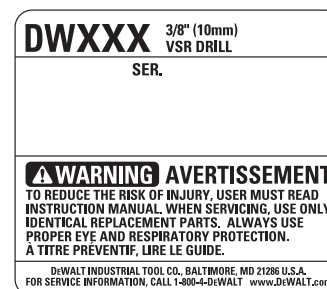
DEWALT will maintain the tool and replace worn parts caused by normal use, for free, any time during the first year after purchase.

90 DAY MONEY BACK GUARANTEE

If you are not completely satisfied with the performance of your DEWALT Power Tool, Laser, or Nailer for any reason, you can return it within 90 days from the date of purchase with a receipt for a full refund – no questions asked.

LATIN AMERICA: This warranty does not apply to products sold in Latin America. For products sold in Latin America, see country specific warranty information contained in the packaging, call the local company or see website for warranty information.

FREE WARNING LABEL REPLACEMENT: If your warning labels become illegible or are missing, call 1-800-4-DEWALT (1-800-433-9258) for a free replacement.



Définitions : lignes directrices en matière de sécurité

Les définitions ci-dessous décrivent le niveau de danger pour chaque mot-indicateur employé. Lire le mode d'emploi et porter une attention particulière à ces symboles.

⚠DANGER : indique une situation dangereuse imminente qui, si elle n'est pas évitée, entraînera la mort ou des blessures graves.

⚠AVERTISSEMENT : indique une situation potentiellement dangereuse qui, si elle n'est pas évitée, pourrait entraîner la mort ou des blessures graves.

⚠ATTENTION : indique une situation potentiellement dangereuse qui, si elle n'est pas évitée, pourrait entraîner des blessures légères ou modérées.

AVIS : indique une pratique ne posant aucun risque de dommages corporels mais qui par contre, si rien n'est fait pour l'éviter, pourrait poser des risques de dommages matériels.

POUR TOUTE QUESTION OU REMARQUE AU SUJET DE CET OUTIL OU DE TOUT AUTRE OUTIL DEWALT, COMPOSEZ LE NUMÉRO SANS FRAIS : 1-800-4-DEWALT (1-800-433-9258).

 **AVERTISSEMENT** : afin de réduire le risque de blessures, lire le mode d'emploi de l'outil.

Avertissements de sécurité généraux pour les outils électriques

 **AVERTISSEMENT ! Lire tous les avertissements de sécurité et toutes les directives.** Le non-respect des avertissements et des directives pourrait se solder par un choc électrique, un incendie et/ou une blessure grave.

CONSERVER TOUS LES AVERTISSEMENTS ET TOUTES LES DIRECTIVES POUR UN USAGE ULTÉRIEUR

Le terme « outil électrique » cité dans les avertissements se rapporte à votre outil électrique à alimentation sur secteur (avec fil) ou par piles (sans fil).

1) SÉCURITÉ DU LIEU DE TRAVAIL

- Tenir l'aire de travail propre et bien éclairée.** Les lieux encombrés ou sombres sont propices aux accidents.
- Ne pas faire fonctionner d'outils électriques dans un milieu déflagrant, tel qu'en présence de liquides, de gaz ou de poussières inflammables.** Les outils électriques produisent des étincelles qui pourraient enflammer la poussière ou les vapeurs.
- Éloigner les enfants et les personnes à proximité pendant l'utilisation d'un outil électrique.** Une distraction pourrait en faire perdre la maîtrise à l'utilisateur.

2) SÉCURITÉ EN MATIÈRE D'ÉLECTRICITÉ

- Les fiches des outils électriques doivent correspondre à la prise. Ne jamais modifier la fiche d'aucune façon. Ne jamais utiliser de fiche d'adaptation avec un outil électrique mis à la terre.** Le risque de choc électrique sera réduit par l'utilisation de fiches non modifiées correspondant à la prise.
- Éviter tout contact physique avec des surfaces mises à la terre comme des tuyaux, des radiateurs, des cuisinières et des réfrigérateurs.** Le risque de choc électrique est plus élevé si votre corps est mis à la terre.
- Ne pas exposer les outils électriques à la pluie ou à l'humidité.** La pénétration de l'eau dans un outil électrique augmente le risque de choc électrique.
- Ne pas utiliser le cordon de façon abusive. Ne jamais utiliser le cordon pour transporter, tirer ou débrancher un outil électrique. Tenir le cordon éloigné de la chaleur, de l'huile, des bords tranchants et des pièces mobiles.** Les cordons endommagés ou enchevêtrés augmentent les risques de choc électrique.
- Pour l'utilisation d'un outil électrique à l'extérieur, se servir d'une rallonge convenant à cette application.** L'utilisation d'une rallonge conçue pour l'extérieur réduira les risques de choc électrique.
- S'il est impossible d'éviter l'utilisation d'un outil électrique dans un endroit humide, brancher l'outil dans une prise ou sur un circuit d'alimentation dotés d'un disjoncteur de fuite à la terre (GFCI).** L'utilisation de ce type de disjoncteur réduit les risques de choc électrique.

3) SÉCURITÉ PERSONNELLE

- Être vigilant, surveiller le travail effectué et faire preuve de jugement lorsqu'un outil électrique est utilisé. Ne pas utiliser d'outil électrique en cas de fatigue ou sous l'influence de drogues, d'alcool ou de médicaments.** Un simple moment d'inattention en utilisant un outil électrique peut entraîner des blessures corporelles graves.
- Utiliser des équipements de protection individuelle. Toujours porter une protection oculaire.** L'utilisation d'équipements de protection comme un masque antipoussière, des chaussures antidérapantes, un casque de sécurité ou des protecteurs auditifs lorsque la situation le requiert réduira les risques de blessures corporelles.
- Empêcher les démarrages intempestifs. S'assurer que l'interrupteur se trouve à la position d'arrêt avant de relier l'outil à une source d'alimentation et/ou d'insérer un bloc-piles, de ramasser ou de transporter l'outil.** Transporter un outil électrique alors que le doigt repose sur l'interrupteur ou brancher un outil électrique dont l'interrupteur est à la position de marche risque de provoquer un accident.
- Retirer toute clé de réglage ou clé avant de démarrer l'outil.** Une clé ou une clé de réglage attachée à une partie pivotante de l'outil électrique peut provoquer des blessures corporelles.
- Ne pas trop tendre les bras. Conserver son équilibre en tout temps.** Cela permet de mieux maîtriser l'outil électrique dans les situations imprévues.
- S'habiller de manière appropriée. Ne pas porter de vêtements amples ni de bijoux. Garder les cheveux, les vêtements et les gants à l'écart des pièces mobiles.** Les vêtements amples, les bijoux ou les cheveux longs risquent de rester coincés dans les pièces mobiles.
- Si des composants sont fournis pour le raccordement de dispositifs de dépoussiérage et de ramassage, s'assurer que ceux-ci sont bien raccordés et utilisés.** L'utilisation d'un dispositif de dépoussiérage peut réduire les dangers engendrés par les poussières.

4) UTILISATION ET ENTRETIEN D'UN OUTIL ÉLECTRIQUE

- Ne pas forcer un outil électrique. Utiliser l'outil électrique approprié à l'application.** L'outil électrique approprié effectuera un meilleur travail, de façon plus sûre et à la vitesse pour laquelle il a été conçu.
- Ne pas utiliser un outil électrique dont l'interrupteur est défectueux.** Tout outil électrique dont l'interrupteur est défectueux est dangereux et doit être réparé.
- Débrancher la fiche de la source d'alimentation et/ou du bloc-piles de l'outil électrique avant de faire tout réglage ou changement d'accessoire ou avant de ranger l'outil.** Ces mesures préventives réduisent les risques de démarrage accidentel de l'outil électrique.
- Ranger les outils électriques hors de la portée des enfants et ne permettre à aucune personne n'étant pas familière avec un outil électrique ou son mode d'emploi d'utiliser cet outil.** Les outils électriques deviennent dangereux entre les mains d'utilisateurs inexpérimentés.
- Entretien des outils électriques. Vérifier si les pièces mobiles sont mal alignées ou coincées, si des pièces sont brisées ou présentent toute autre condition susceptible de nuire au bon fonctionnement de l'outil électrique. En cas de dommage, faire réparer l'outil électrique avant toute nouvelle utilisation.** Beaucoup d'accidents sont causés par des outils électriques mal entretenus.
- S'assurer que les outils de coupe sont aiguisés et propres.** Les outils de coupe bien entretenus et affûtés sont moins susceptibles de se coincer et sont plus faciles à maîtriser.
- Utiliser l'outil électrique, les accessoires, les forêts, etc. conformément aux présentes directives en tenant compte des conditions de travail et du travail à effectuer.** L'utilisation d'un outil électrique pour toute opération autre que celle pour laquelle il a été conçu est dangereuse.

5) RÉPARATION

- Faire réparer l'outil électrique par un réparateur professionnel en n'utilisant que des pièces de rechange identiques.** Cela permettra de maintenir une utilisation sécuritaire de l'outil électrique.

Mesures de sécurité additionnelles


- Utiliser la/les poignée(s) auxiliaire(s) si fournie(s) avec l'outil.** Une perte de contrôle de l'outil pourrait occasionner des dommages corporels.
- Tenir l'outil par les surfaces isolées prévues à cet effet pendant toute utilisation où l'organe de coupe pourrait entrer en contact avec des fils électriques cachés ou son propre cordon.** Tout contact de l'organe de coupe avec un fil sous tension mettra les parties métalliques exposées de l'outil sous tension et électrocutera l'utilisateur.
- Utiliser des brides de fixation ou tout autre dispositif de fixation pratique permettant de soutenir et de retenir la pièce sur une plate-forme stable.** Tenir la pièce avec la main ou contre le corps rend la pièce instable et risque de provoquer une perte de maîtrise de l'outil.
- S'assurer que les poignées sont propres, libres de toute tache d'huile et de graisse.** Il est conseillé de porter des gants en caoutchouc afin d'optimiser la maîtrise de l'outil.
- Prendre des précautions à proximité des événements, car ils cachent des pièces mobiles.** Vêtements amples, bijoux ou cheveux longs risquent de rester coincés dans ces pièces mobiles.

- Pour la sécurité de l'utilisateur, utiliser une rallonge de calibre adéquat (AWG, American Wire Gauge [calibrage américain normalisé des fils électriques]).** Plus le calibre est petit, et plus sa capacité est grande. Un calibre 16, par exemple, a une capacité supérieure à un calibre 18. L'usage d'une rallonge de calibre insuffisant causera une chute de tension qui entraînera perte de puissance et surchauffe. Si plus d'une rallonge est utilisée pour obtenir une certaine longueur, s'assurer que chaque rallonge présente au moins le calibre de fil minimum. Le tableau ci-dessous illustre les calibres à utiliser selon la longueur de rallonge et l'intensité nominale indiquée sur la plaque signalétique. En cas de doute, utiliser le calibre suivant. Plus le calibre est petit, plus la rallonge peut supporter de courant.

Calibres minimaux des rallonges					
Intensité (en ampères)	volts		Longueur totale de cordon en mètres (pieds)		
	120 V	7,6 (25)	15,2 (50)	30,5 (100)	45,7 (150)
	240 V	15,2 (50)	30,5 (100)	61,0 (200)	91,4 (300)
Supérieur à	Inférieur à	AWG			
0	6	18	16	16	14
6	10	18	16	14	12
10	12	16	16	14	12
12	16	14	12	Non recommandé	

 **AVERTISSEMENT** : porter **SYSTEMATIQUÉMENT** des lunettes de protection. Les lunettes courantes NE sont PAS des lunettes de protection. Utiliser aussi un masque antipoussières si la découpe doit en produire beaucoup. PORTER SYSTEMATIQUÉMENT UN ÉQUIPEMENT DE SÉCURITÉ HOMOLOGUÉ :


- Protection oculaire ANSI Z87.1 (CAN/CSA Z94.3) ;
- Protection auditive ANSI S12.6 (S3.19) ;
- Protection des voies respiratoires NIOSH/OSHA/MSHA.


 **AVERTISSEMENT** : les scies, meules, ponceuses, perceuses ou autres outils de construction peuvent produire des poussières contenant des produits chimiques reconnus par l'État californien pour causer cancers, malformations congénitales ou être nocifs au système reproducteur. Parmi ces produits chimiques, on retrouve :

- Le plomb dans les peintures à base de plomb ;
- La silice cristallisée dans les briques et le ciment, ou autres produits de maçonnerie ; et
- L'arsenic et le chrome dans le bois ayant subi un traitement chimique.



Le risque associé à de telles expositions varie selon la fréquence à laquelle on effectue ces travaux. Pour réduire toute exposition à ces produits : travailler dans un endroit bien aéré, en utilisant du matériel de sécurité homologué, tel un masque antipoussières spécialement conçu pour filtrer les particules microscopiques.

- Limiter toute exposition prolongée avec les poussières provenant du ponçage, sciage, meulage, perçage ou toute autre activité de construction. Porter des vêtements de protection et nettoyer à l'eau savonneuse les parties du corps exposées.** Le fait de laisser la poussière pénétrer dans la bouche, les yeux ou la peau peut favoriser l'absorption de produits chimiques dangereux.

 **AVERTISSEMENT** : cet outil peut produire et/ou répandre de la poussière susceptible de causer des dommages sérieux et permanents au système respiratoire. Utiliser systématiquement un appareil de protection des voies respiratoires homologué par le NIOSH ou l'OSHA. Diriger les particules dans le sens opposé au visage et au corps.

 **AVERTISSEMENT** : pendant l'utilisation, porter systématiquement une protection auditive individuelle adéquate homologuée ANSI S12.6 (S3.19). Sous certaines conditions et suivant la durée d'utilisation, le bruit émanant de ce produit pourrait contribuer à une perte de l'acuité auditive.

- L'étiquette apposée sur votre outil peut inclure les symboles suivants. Les symboles et leur définition sont indiqués ci-après :


V.....volts	A..... ampères
Hz.....hertz	W..... watts
min minutes	~ ou AC..... courant alternatif
==== ou DC....courant continu	⎓ ou AC/DC... courant alternatif ou continu
 classe I fabrication (mis à la terre)	n _o vitesse à vide
 fabrication classe II (double isolation)	n..... vitesse nominale
.../min par minute	⊕ borne de terre
IPM..... impacts par minute	▲..... symbole d'avertissement
sfpm pieds linéaires par minute (plpm)	BPM..... battements par minute
SPM (FPM).... fréquence par minute	r/min..... tours par minute

CONSERVER CES CONSIGNES POUR UTILISATION ULTÉRIEURE

Moteur

S'assurer que le bloc d'alimentation est compatible avec l'inscription de la plaque signalétique. Une diminution de tension de plus de 10 % provoquera une perte de puissance et une surchauffe. Les outils DEWALT sont testés en usine ; si cet outil ne fonctionne pas, vérifier l'alimentation électrique.

COMPOSANTS (Fig. 1-4)

 **AVERTISSEMENT** : ne jamais modifier l'outil électrique ou l'une de ses parties. Une telle pratique risque de provoquer des dommages matériels ou des blessures corporelles.

- Interrupteur à détente
- Bouton de verrouillage
- Levier de commande de marche arrière
- Clé de verrouillage en mode d'arrêt
- Bouton de verrouillage de l'arbre

UTILISATION PRÉVUE

Ces perceuses pour service intensif sont conçus pour des applications de perçage professionnelles. **NE PAS** utiliser dans des conditions humides ou en présence de liquides ou de gaz inflammables. Ces perceuses pour service intensif sont des outils électriques pour professionnels. **NE PAS** mettre les enfants en contact avec l'outil. Les opérateurs inexpérimentés doivent être supervisés lorsqu'ils utilisent cet outil.

Balais du moteur

Les outils DEWALT sont dotés d'un système perfectionné de vérification des balais qui arrête automatiquement l'outil lorsque les balais sont usés afin d'empêcher d'endommager le moteur.

Interrupteur (Fig. 1)

Pour mettre la perceuse en marche, enfoncer l'interrupteur à détente; pour la mettre hors circuit, relâcher l'interrupteur à détente. Lorsqu'on veut verrouiller l'interrupteur en mode de fonctionnement continu, il suffit d'enfoncer l'interrupteur à détente et de pousser le bouton de verrouillage (B) puis de relâcher lentement l'interrupteur. Pour libérer le mécanisme de verrouillage, appuyer à fond sur l'interrupteur à détente et le relâcher. Toujours s'assurer que le bouton de verrouillage fonctionne bien avant d'utiliser l'outil (chaque fois).

Ne pas verrouiller l'interrupteur en mode de fonctionnement continu lorsqu'on perce à la main de façon à pouvoir relâcher immédiatement la détente si le foret se coince dans le trou.

Utiliser le bouton de verrouillage seulement lorsque la perceuse est immobilisée dans une presse ou autrement.

Veiller à ce que le bouton de verrouillage soit dégagé avant de débrancher l'outil, sinon l'outil se remettra immédiatement en marche la prochaine qu'on s'en servira et cela présente des risques de dommages et de blessures.

INTERRUPTEUR DE VARIATION DE VITESSE

L'interrupteur de variation de vitesse permet de choisir la vitesse de fonctionnement; plus on l'enfonçe, plus la vitesse est élevée.

NOTE : Se servir de la basse vitesse pour amorcer des trous sans poinçon ainsi que pour percer les métaux, les plastiques ou la céramique, ainsi que pour enfoncer des vis. La vitesse élevée convient mieux au perçage du bois et des panneaux d'agglomérés, ainsi qu'à l'utilisation d'accessoires pour le ponçage et le polissage.

LEVIER DE COMMANDE DE MARCHÉ ARRIÈRE

Ce levier commande le sens de rotation de la perceuse et sert à retirer une vis ou une mèche coincée. Pour actionner la marche arrière, il faut relâcher l’interrupteur à détente, puis faire glisser l’inverseur de marche vers la gauche (lorsqu’on regarde le mandrin), comme le montre la Figure 2. Pour actionner la marche avant afin de percer des trous ou d’enfoncer des vis (ou tout autre accessoire), il faut relâcher l’interrupteur à détente, puis faire glisser l’inverseur de marche vers la droite (lorsqu’on regarde le mandrin).

Après les travaux en marche arrière, toujours remettre l’inverseur à la marche avant.

DISPOSITIF DE VERROUILLAGE DE L’INTERRUPTEUR EN MODE DE FONCTIONNEMENT

La perceuse comporte un dispositif de verrouillage de l’interrupteur en mode de fonctionnement. Pour neutraliser ce dispositif, il faut confier l’outil au personnel d’un centre de service autorisé. On peut également s’y procurer une clé de verrouillage en mode d’arrêt (D) afin d’empêcher le verrouillage de l’outil en mode de fonctionnement (Fig. 3).

UTILISATION

⚠AVERTISSEMENT : pour réduire le risque de blessures, éteindre l'appareil et le débrancher avant d'installer ou de retirer tout accessoire et avant d'effectuer des réglages ou des réparations.
Un démarrage accidentel peut provoquer des blessures.

⚠AVERTISSEMENT : pour réduire le risque de blessures corporelles, TOUJOURS s’assurer que la pièce est ancrée ou fixée fermement.
En cas de perçage dans un matériau fin, utiliser un bloc de bois à l’endos de la pièce pour éviter d’endommager cette dernière.

Poignée latérale

⚠AVERTISSEMENT : pour réduire le risque de blessures corporelles, TOUJOURS utiliser l’outil si la poignée latérale y est bien installée et serrée.
Une mauvaise installation pourrait se solder par un glissement de la poignée latérale en cours de fonctionnement, puis une perte de maîtrise de l’outil. Tenir l’outil des deux mains pour obtenir une plus grande maîtrise de l’outil.

Certains modèles sont dotés d’une poignée latérale. Les modèles munis d’une telle poignée sont les suivants : DW235G, DW245, DW246. La poignée est fixée sur la partie antérieure du carter d’engrenages; on peut la tourner complètement dans un sens ou dans l’autre afin de l’utiliser à gauche ou à droite, selon le cas.

Perçage

1. N'utiliser que des forets bien aiguisés. Pour le BOIS, utiliser la vitesse lente et des forets hélicoïdaux, à trois pointes, à bois pour outil électrique ou des scies-cloches. Pour le MÉTAL, utiliser la vitesse lente et des forets hélicoïdaux en acier ou des scies-cloches. Pour la MAÇONNERIE, par exemple les briques, le ciment, les blocs de béton, etc., utiliser des mèches à pointe carburée pour perçage à percussion. Utiliser la vitesse lente pour les forets de plus de 10 mm (3/8 po).

2. Toujours exercer une pression en ligne droite par rapport à l’embout. Exercer suffisamment de pression pour faire mordre le foret, mais ne pas trop appuyer pour éviter de bloquer le moteur ou de faire dévier le foret.

3. Tenir l’outil fermement des deux mains pour maîtriser le pivotement de la perceuse.

⚠ AVERTISSEMENT : la perceuse est susceptible de se bloquer, en fonction d'une surcharge, produisant ainsi une rotation brusque. Il faut toujours prévoir l'éventualité d'un blocage.
Empoigner fermement la perceuse des deux mains pour maîtriser sa rotation et ainsi éviter des blessures.

4. **SI LA PERCEUSE SE BLOQUE**, le problème est généralement attribuable à une surcharge ou une mauvaise utilisation. **RELÂCHER IMMÉDIATEMENT LA DÉTENTE**, retirer le foret du trou percé et déterminer la cause du blocage. **NE PAS APPUYER DE FAÇON RÉPÉTÉE SUR LA DÉTENTE POUR TENTER DE DÉMARRER UNE PERCEUSE BLOQUÉE, CAR CETTE PRATIQUE PEUT ENDOMMAGER L’OUTIL.**

5. Pour éviter les blocages ou un bris lors de la réalisation d’un perçage, réduire la pression sur la perceuse et percer en douceur la dernière partie du trou.

6. Faire tourner la perceuse pour retirer le foret du trou percé. Cette pratique empêche le foret de se coincer.

7. Les perceuses à régime variable n’ont pas besoin d’un pointeau pour amorcer le trou. Utiliser une vitesse lente pour amorcer le trou et accélérer en appuyant davantage sur la détente lorsque le trou est assez profond pour percer sans que le foret n’en déborde.

PERÇAGE DANS LE MÉTAL

Amorcer le trou à faible vitesse puis passer à plein régime tout en appuyant fermement sur l’outil. Une évacuation continue et régulière de copeaux métalliques indique que la vitesse de perçage est adéquate. Utiliser un lubrifiant de coupe pour percer les métaux. Seuls la fonte et le laiton doivent être percés à sec.

REMARQUE : le perçage de grands trous [8 à 13 mm (5/16 à 1/2 po)] dans l’acier sera facilité si on perce d’abord un avant-trou [4 à 5 mm (5/32 à 3/16 po)].

PERÇAGE DANS LE BOIS

Amorcer le trou à faible vitesse puis passer à plein régime tout en appuyant fermement sur l’outil. Il est possible d’utiliser les mêmes forets hélicoïdaux qui percent le métal. Ces forets peuvent surchauffer s’ils ne sont pas fréquemment retirés pour nettoyer les cannelures. Les pièces susceptibles de provoquer des éclats de bois devraient être soutenues avec un bloc de bois.

PERÇAGE DANS LA MAÇONNERIE

Pour le perçage de la maçonnerie, utiliser des mèches à pointes carburées prévues pour une utilisation avec un marteau perforateur et s’assurer que la mèche soit bien affûtée. Utiliser une force ferme et constante sur l’outil pour un perçage plus efficace. Une évacuation continue de poussière indique que votre vitesse de perçage est adéquate.

Mandrins à clé

Ouvrir les mâchoires du mandrin en tournant la bague à la main et y insérer environ 3/4 po de l’arbre du foret. Resserrer la bague du mandrin à la main. Placer la clé du mandrin dans chacun des trois trous et serrer dans le sens HORAIRE. Il est essentiel de bien serrer les trois trous du mandrin. Pour dégager le foret, il suffit de faire tourner la clé du mandrin dans le sens ANTIHORAIRE dans l’un des trous, puis de desserrer le mandrin à la main. Le personnel d’un centre de service autorisé peut remplacer un mandrin à clé par un mandrin sans clé.

Mandrins sans clé

Ouvrir les mâchoires du mandrin en tournant la bague de plastique à la main et y insérer environ 3/4 po de l’arbre du foret. Resserrer la bague de plastique dans le sens HORAIRE tout en enfonçant le bouton de verrouillage de l’arbre (E) qui se trouve du côté droit de l’outil (Fig. 4). Pour dégager le foret, faire tourner la bague de plastique dans le sens ANTIHORAIRE tout en enfonçant le bouton de verrouillage de l’arbre (Fig. 4).

NOTE : NE PAS ENFONCER LE BOUTON DE VERROUILLAGE LORSQUE L’OUTIL FONCTIONNE ni lorsque le mandrin est en mouvement.

MAINTENANCE

⚠AVERTISSEMENT : pour réduire le risque de blessures, éteindre l'appareil et le débrancher avant d'installer ou de retirer tout accessoire et avant d'effectuer des réglages ou des réparations.
Un démarrage accidentel peut provoquer des blessures.

Nettoyage

⚠AVERTISSEMENT : enlever les saletés et la poussière hors des événements au moyen d'air comprimé propre et sec, au moins une fois par semaine. Pour minimiser le risque de blessure aux yeux, toujours porter une protection oculaire conforme à la norme ANSI Z87.1 lors du nettoyage.

⚠AVERTISSEMENT : ne jamais utiliser de solvants ni d'autres produits chimiques puissants pour nettoyer les pièces non métalliques de l'outil. Ces produits chimiques peuvent affaiblir les matériaux de plastique utilisés dans ces pièces. Utiliser un chiffon humecté uniquement d'eau et de savon doux. Ne jamais laisser de liquide pénétrer dans l'outil et n'immerger aucune partie de l'outil dans un liquide.

Lubrification

L’outil comporte des roulements autolubrifiés qui ne nécessitent aucune lubrification périodique. Dans l’éventualité peu probable où il faudrait réparer l’outil, le confier au personnel d’un centre de service autorisé.

Accessoires

⚠AVERTISSEMENT : puisque les accessoires autres que ceux offerts par DEWALT n'ont pas été testés avec ce produit, leur utilisation pourrait s'avérer dangereuse. Pour réduire le risque de blessures, utiliser exclusivement les accessoires DEWALT recommandés avec le présent produit.

Les accessoires recommandés pour cet outil sont vendus séparément au centre de service de votre région. Pour obtenir de l’aide concernant l’achat d’un accessoire, communiquer avec DEWALT Industrial Tool Co., 701 East Joppa Road, Towson, MD 21286 aux États-Unis; composer le 1 800 433-9258 (1 800 4-DEWALT) ou visiter notre site Web : www.dewalt.com.

Réparations

Pour assurer la SÉCURITÉ et la FIABILITÉ du produit, les réparations, l’entretien et les réglages doivent être réalisés (cela comprend l’inspection et le remplacement du balai) par un centre de réparation en usine DEWALT, un centre de réparation agréé DEWALT ou par d’autres techniciens qualifiés. Toujours utiliser des pièces de rechange identiques.

Registre en ligne

Merci pour votre achat. Enregistrez dès maintenant votre produit:

- RÉPARATIONS SOUS GARANTIE:** cette carte remplie vous permettra de vous prévaloir du service de réparations sous garantie de façon plus efficace dans le cas d’un problème avec le produit.
- CONFIRMATION DE PROPRIÉTÉ:** en cas de perte provoquée par un incendie, une inondation ou un vol, cette preuve de propriété vous servira de preuve auprès de votre compagnie d’assurances.
- SÉCURITÉ:** l’enregistrement de votre produit nous permettra de communiquer avec vous dans l’éventualité peu probable de l’envoi d’un avis de sécurité régi par la loi fédérale américaine de la protection des consommateurs.

Registre en ligne à www.dewalt.com/register.

Garantie limitée de trois ans

DEWALT réparera, sans frais, tout produit défectueux causé par un défaut de matériel ou de fabrication pour une période de trois ans à compter de la date d’achat. La présente garantie ne couvre pas les pièces dont la défectuosité a été causée par une usure normale ou l’usage abusif de l’outil. Pour obtenir de plus amples renseignements sur les pièces ou les réparations couvertes par la présente garantie, visiter le site www.dewalt.com ou composer le 1 800 433-9258 (1 800 4-DEWALT). Cette garantie ne s’applique pas aux accessoires et ne vise pas les dommages causés par des réparations effectuées par un tiers. Cette garantie confère des droits légaux particuliers à l’acheteur, mais celui-ci pourrait aussi bénéficier d’autres droits variant d’un état ou d’une province à l’autre.

En plus de la présente garantie, les outils DEWALT sont couverts par notre :

CONTRAT D’ENTRETIEN GRATUIT D’UN AN

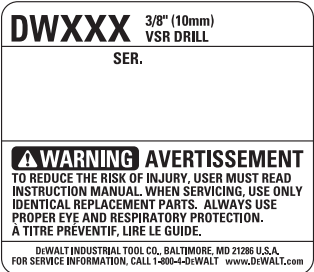
DEWALT entretiendra l’outil et remplacera les pièces usées au cours d’une utilisation normale et ce, gratuitement, pendant une période d’un an à compter de la date d’achat.

GARANTIE DE REMBOURSEMENT DE 90 JOURS

Si l’acheteur n’est pas entièrement satisfait, pour quelque raison que ce soit, du rendement de l’outil électrique, du laser ou de la cloueuse DEWALT, celui-ci peut le retourner, accompagné d’un reçu, dans les 90 jours à compter de la date d’achat pour obtenir un remboursement intégral, sans aucun problème.

AMÉRIQUE LATINE : cette garantie ne s’applique aux produits vendus en Amérique latine. Pour ceux-ci, veuillez consulter les informations relatives à la garantie spécifique présente dans l’emballage, appeler l’entreprise locale ou consulter le site Web pour les informations relatives à cette garantie.

REMPACEMENT GRATUIT DES ÉTIQUETTES D’AVERTISSEMENT : si les étiquettes d’avertissement deviennent illisibles ou sont manquantes, composer le 1 800 433-9258 (1 800 4-DEWALT) pour en obtenir le remplacement gratuit.



Definiciones: Normas de seguridad

Las siguientes definiciones describen el nivel de gravedad de cada palabra de señal. Lea el manual y preste atención a estos símbolos.

⚠ PELIGRO: *indica una situación de peligro inminente que, si no se evita, provocará la muerte o lesiones graves.*

⚠ ADVERTENCIA: *indica una situación de peligro potencial que, si no se evita, podría provocar la muerte o lesiones graves.*

⚠ ATENCIÓN: *indica una situación de peligro potencial que, si no se evita, posiblemente provocaría lesiones leves o moderadas.*

AVISO: *se refiere a una práctica no relacionada a lesiones corporales que de no evitarse puede resultar en daños a la propiedad.*

SI TIENE ALGUNA DUDA O ALGÚN COMENTARIO SOBRE ÉSTA U OTRA HERRAMIENTA DEWALT, LLÁMENOS AL NÚMERO GRATUITO: **1-800-4-DEWALT (1-800-433-9258)**.

⚠ ADVERTENCIA: *Para reducir el riesgo de lesiones, lea el manual de instrucciones.*

Advertencias generales de seguridad para herramientas eléctricas

⚠ ¡ADVERTENCIA! Lea todas las advertencias de seguridad e instrucciones.
El incumplimiento de las advertencias e instrucciones puede provocar descargas eléctricas, incendios o lesiones graves.

CONSERVE TODAS LAS ADVERTENCIAS E INSTRUCCIONES PARA FUTURAS CONSULTAS

El término “herramienta eléctrica” incluido en las advertencias hace referencia a las herramientas eléctricas operadas con corriente (con cable eléctrico) o a las herramientas eléctricas operadas con baterías (inalámbricas).

1) SEGURIDAD EN EL ÁREA DE TRABAJO

- a) Mantenga el área de trabajo limpia y bien iluminada.* Las áreas abarrotadas y oscuras propician accidentes.
- b) No opere las herramientas eléctricas en atmósferas explosivas, como ambientes donde haya polvo, gases o líquidos inflamables.* Las herramientas eléctricas originan chispas que pueden encender el polvo o los vapores.
- c) Mantenga alejados a los niños y a los espectadores de la herramienta eléctrica en funcionamiento.* Las distracciones pueden provocar la pérdida de control.

2) SEGURIDAD ELÉCTRICA

- a) Los enchufes de la herramienta eléctrica deben adaptarse al tomacorriente. Nunca modifique el enchufe de ninguna manera. No utilice ningún enchufe adaptador con herramientas eléctricas con conexión a tierra.* Los enchufes no modificados y que se adaptan a los tomacorrientes reducirán el riesgo de descarga eléctrica.
- b) Evite el contacto corporal con superficies con descargas a tierra como, por ejemplo, tuberías, radiadores, cocinas eléctricas y refrigeradores.* Existe mayor riesgo de descarga eléctrica si su cuerpo está puesto a tierra.
- c) No esponga las herramientas eléctricas a la lluvia o a condiciones de humedad.* Si entra agua a una herramienta eléctrica, aumentará el riesgo de descarga eléctrica.
- d) No maltrate el cable. Nunca utilice el cable para transportar, tirar o desenchufar la herramienta eléctrica. Mantenga el cable alejado del calor, el aceite, los bordes filosos y las piezas móviles.* Los cables dañados o enredados aumentan el riesgo de descarga eléctrica.

- e) **Al operar una herramienta eléctrica en el exterior, utilice un cable prolongador adecuado para tal uso.** Utilice un cable adecuado para uso en exteriores a fin de reducir el riesgo de descarga eléctrica.
- f) **Si el uso de una herramienta eléctrica en un lugar húmedo es imposible de evitar, utilice un suministro protegido con un interruptor de circuito por falla a tierra (GFCI).** El uso de un GFCI reduce el riesgo de descargas eléctricas.

3) SEGURIDAD PERSONAL

- a) **Permanezca alerta, controle lo que está haciendo y utilice el sentido común cuando emplee una herramienta eléctrica. No utilice una herramienta eléctrica si está cansado o bajo el efecto de drogas, alcohol o medicamentos.** Un momento de descuido mientras se opera una herramienta eléctrica puede provocar lesiones personales graves.
- b) **Utilice equipos de protección personal. Siempre utilice protección para los ojos.** En las condiciones adecuadas, el uso de equipos de protección, como máscaras para polvo, calzado de seguridad antideslizante, cascos o protección auditiva, reducirá las lesiones personales.
- c) **Evite el encendido por accidente. Asegúrese de que el interruptor esté en la posición de apagado antes de conectarlo a la fuente de energía o paquete de baterías, o antes de levantar o transportar la herramienta.** Transportar herramientas eléctricas con el dedo apoyado en el interruptor o enchufar herramientas eléctricas con el interruptor en la posición de encendido puede propiciar accidentes.
- d) **Retire la clavija de ajuste o la llave de tuercas antes de encender la herramienta eléctrica.** Una llave de tuercas o una clavija de ajuste que quede conectada a una pieza giratoria de la herramienta eléctrica puede provocar lesiones personales.
- e) **No se estire. Conserve el equilibrio y párese adecuadamente en todo momento.** Esto permite un mejor control de la herramienta eléctrica en situaciones inesperadas.
- f) **Use la vestimenta adecuada. No use ropas holgadas ni joyas. Mantenga el cabello, la ropa y los guantes alejados de las piezas en movimiento.** Las ropas holgadas, las joyas o el cabello largo pueden quedar atrapados en las piezas en movimiento.
- g) **Si se suministran dispositivos para la conexión de accesorios con fines de recolección y extracción de polvo, asegúrese de que estén conectados y que se utilicen correctamente.** El uso de dispositivos de recolección de polvo puede reducir los peligros relacionados con el polvo.

4) USO Y MANTENIMIENTO DE LA HERRAMIENTA ELÉCTRICA

- a) **No fuerce la herramienta eléctrica. Utilice la herramienta eléctrica correcta para el trabajo que realizará.** Si se la utiliza a la velocidad para la que fue diseñada, la herramienta eléctrica correcta permite trabajar mejor y de manera más segura.
- b) **No utilice la herramienta eléctrica si no puede encenderla o apagarla con el interruptor.** Toda herramienta eléctrica que no pueda ser controlada mediante el interruptor es peligrosa y debe repararse.
- c) **Desconecte el enchufe de la fuente de energía o el paquete de baterías de la herramienta eléctrica antes de realizar ajustes, cambiar accesorios o almacenar la herramienta eléctrica.** Estas medidas de seguridad preventivas reducen el riesgo de encender la herramienta eléctrica en forma accidental.
- d) **Guarde la herramienta eléctrica que no esté en uso fuera del alcance de los niños y no permita que otras personas no familiarizadas con ella o con estas instrucciones operen la herramienta.** Las herramientas eléctricas son peligrosas si son operadas por usuarios no capacitados.
- e) **Realice el mantenimiento de las herramientas eléctricas. Revise que no haya piezas en movimiento mal alineadas o trabadas, piezas rotas o cualquier otra situación que pueda afectar el funcionamiento de la herramienta eléctrica. Si encuentra daños, haga reparar la herramienta eléctrica antes de utilizarla.** Se producen muchos accidentes a causa de las herramientas eléctricas que carecen de un mantenimiento adecuado.
- f) **Mantenga las herramientas de corte afiladas y limpias.** Las herramientas de corte con mantenimiento adecuado y con los bordes de corte afilados son menos propensas a trabarse y son más fáciles de controlar.
- g) **Utilice la herramienta eléctrica, los accesorios y las brocas de la herramienta, etc. de acuerdo con estas instrucciones y teniendo en cuenta las condiciones de trabajo y el trabajo que debe realizarse.** El uso de la herramienta eléctrica para operaciones diferentes de aquéllas para las que fue diseñada podría originar una situación peligrosa.

5) MANTENIMIENTO

- a) **Solicite a una persona calificada en reparaciones que realice el mantenimiento de su herramienta eléctrica y que sólo utilice piezas de repuesto idénticas.** Esto garantizará la seguridad de la herramienta eléctrica.

Reglas adicionales de seguridad

- Utilice el (los) mango(s) auxiliares, si alguno viene con la herramienta.** Perder el control de la herramienta podría causar lesiones corporales.
- Sujete la herramienta eléctrica de sus superficies aislantes cuando lleve a cabo una operación en que el accesorio de corte pudiera entrar en contacto con un hilo eléctrico oculto o con su propio cable. Los accesorios** de corte que entren en contacto con un hilo eléctrico activo podrían hacer que las partes metálicas de la herramienta eléctrica también se activen con electricidad y que el operador sufra una descarga eléctrica.
- Utilice abrazaderas u otra forma práctica para asegurar y sostener la pieza de trabajo en una plataforma estable.** Sostener el trabajo con la mano o contra el cuerpo no brinda la estabilidad requerida y puede llevar a la pérdida del control.
- Conserve los mangos secos, limpios, libres de aceite y grasa.** Se recomienda el uso de guantes de goma. Esto le permitirá controlar mejor la herramienta.
- Los orificios de ventilación suelen cubrir piezas en movimiento, por lo que también se deben evitar.** Las piezas en movimiento pueden atrapar prendas de vestir sueltas, joyas o el cabello largo.
- El cable de extensión deben ser de un calibre apropiado para su seguridad.** Mientras menor sea el calibre del hilo, mayor la capacidad del cable. Es decir, un hilo calibre 16 tiene mayor capacidad que uno de 18. Un cable de un calibre insuficiente causará una caída en la tensión de la línea dando por resultado una pérdida de energía y sobrecalentamiento. Cuando se utilice más de un alargador para completar el largo total, asegúrese que los hilos de cada alargador tengan el calibre mínimo. La tabla siguiente muestra el tamaño correcto a utilizar, dependiendo de la longitud del cable y del amperaje nominal de la placa de identificación. Si tiene dudas sobre cuál calibre usar, use un calibre mayor. Cuanto más pequeño sea el número del calibre, más resistente será el cable.

Calibre mínimo para cables de alimentación						
Amperaje		Voltios	Largo total del cordón en metros (pies)			
		120 V	7,6 (25)	15,2 (50)	30,5 (100)	45,7 (150)
		240 V	15,2 (50)	30,5 (100)	61,0 (200)	91,4 (300)
Más de	No más de	AWG				
0	6		18	16	16	14
6	10		18	16	14	12
10	12		16	16	14	12
12	16		14	12	No recomendado	

⚠ADVERTENCIA: Use **SIEMPRE** lentes de seguridad. Los anteojos de diario NO SON lentes de seguridad. Utilice además una cubrebocas o mascarilla antipolvo si la operación de corte genera demasiado polvo. SIEMPRE LLEVE EQUIPO DE SEGURIDAD CERTIFICADO:

- Protección ocular ANSI Z87.1 (CAN/CSA Z94.3),
- Protección auditiva ANSI S12.6 (S3.19),
- Protección respiratoria NIOSH/OSHA/MSHA.

⚠ADVERTENCIA: Algunas partículas de polvo generadas al lijar, serrar, esmerilar y taladrar con herramientas eléctricas, así como al realizar otras actividades de construcción, contienen químicos que el Estado de California sabe que pueden producir cáncer, defectos congénitos u otras afecciones reproductivas. Ejemplos de estos químicos son:

- plomo de algunas pinturas en base a plomo,
- polvo de sílice proveniente de ladrillos y cemento y otros productos de albañilería, y
- arsénico y cromo provenientes de madera tratada químicamente.

Su riesgo de exposición a estos químicos varía, dependiendo de la frecuencia con la cual realiza usted este tipo de trabajo. Para reducir su exposición a estas sustancias químicas: trabaje en una zona bien ventilada y llevando equipos de seguridad aprobados, como mascarillas antipolvo especialmente diseñadas para filtrar partículas microscópicas.

- Evite el contacto prolongado con polvo generado por el lijado, aserrado, pulido, taladrado y otras actividades de construcción. Vista ropas protectoras y lave las áreas de la piel expuestas con agua y jabón.** Si permite que el polvo se introduzca en la boca u ojos o quede sobre la piel, puede favorecer la absorción de productos químicos peligrosos.

⚠ADVERTENCIA: La utilización de esta herramienta puede generar polvo o dispersarlo, lo que podría causar daños graves y permanentes al sistema respiratorio, así como otras lesiones. Siempre use protección respiratoria aprobada por NIOSH (Instituto Nacional de Seguridad y Salud en el Trabajo) u OSHA (Administración de Seguridad y Salud en el Trabajo) apropiada para la exposición al polvo. Dirija las partículas en dirección contraria a la cara y el cuerpo.

⚠ADVERTENCIA: Siempre lleve la debida protección auditiva personal en conformidad con ANSI S12.6 (S3.19) durante el uso de esta herramienta. Bajo algunas condiciones y duraciones de uso, el ruido producido por este producto puede contribuir a la pérdida auditiva.

- La etiqueta de su herramienta puede incluir los siguientes símbolos. A continuación se indican los símbolos y sus definiciones:

V.....voltios	A.....amperios
Hz.....hertz	W.....vatios
minminutos	~ o AC.....corriente alterna
=== o DC....corriente directa	⎓ o AC/DCcorriente alterna o directa
⚠..... Construcción de Clase I (tierra)	n.....velocidad sin carga
⚡..... Construcción de Clase II) (doble aislamiento)	n.....velocidad nominal
.../minpor minuto	⊕terminal de conexión a tierra
IPMimpactos por minuto	⚠.....símbolo de advertencia de seguridad
sfpmpies de superficie por minuto	BPM.....golpes por minuto
SPMpasadas por minuto	RPM.....revoluciones por minuto

GUARDE ESTAS INSTRUCCIONES PARA FUTURAS CONSULTAS

Motor

Asegúrese de que la fuente de energía concuerde con lo que se indica en la placa. Un descenso en el voltaje de más del 10% producirá una pérdida de potencia y sobrecalentamiento. Todas las herramientas DEWALT son probadas en fábrica; si esta herramienta no funciona, verifique el suministro eléctrico.

COMPONENTES (Fig. 1–4)

⚠ADVERTENCIA: Nunca modifique la herramienta eléctrica ni ninguna pieza de ésta. Puede ocasionar un daño o una lesión personal.

- Interruptor de gatillo
- Botón de encendido permanente
- Palanca de cambio de marcha
- Llave de seguridad
- Boton del seguro de la flecha

USO PREVISTO

Estas taladros para trabajo pesado fueron diseñados para aplicaciones de taladrando profesional. **NO** use la herramienta en condiciones húmedas o cuando líquidos o gases inflamables se encuentran presentes.

Estas taladros para trabajo pesado son herramientas eléctricas profesionales. **NO** permita que los niños tengan contacto con la herramienta. Se debe supervisar a los operadores inexpertos que utilizan esta herramienta.

Carbones del motor

DEWALT utiliza un avanzado sistema de carbones que detiene automáticamente el motor del taladro cuando se desgastan estas piezas. Esto impide que el motor se dañe seriamente.

Interruptores (Fig. 1)

Oprima el interruptor de gatillo para accionar el taladro; suéltelo para detenerlo. Para dejar fijo el interruptor en la posición de ENCENDIDO a fin de que opere de manera continua, oprímalo y presione el botón de encendido permanente (B), y suelte a continuación el gatillo interruptor con suavidad. Para liberar el mecanismo de trabado, oprima el gatillo hasta el fondo y suéltelo. Antes de utilizar la herramienta (cada vez) asegúrese que el mecanismo del seguro funciona libremente. No asegure el interruptor en la posición de encendido permanente cuando taladre a mano, de manera que pueda soltarlo si la broca se atasca en el barreno.

El botón de encendido permanente se debe utilizar solamente cuando el taladro se encuentra montado en una prensa o en un banco.

Asegúrese de liberar el botón de encendido permanente antes de desconectar la clavija de la toma de corriente. No hacerlo propiciará que el taladro se encienda en el momento de volver a conectarlo, con el peligro consecuente de daños o lesiones.

INTERRUPTOR DE GATILLO DE VELOCIDAD VARIABLE

Este interruptor permite controlar la velocidad: entre más se presiona el gatillo, mayor la velocidad del taladro.

NOTA: Utilice velocidades bajas para perforar sin haber marcado el “punto” de centro, taladrar en metal o plásticos, atornillar y perforar cerámica. Las altas velocidades son mejores para barrenar madera y aglomerados de ésta, y cuando se van a utilizar los accesorios abrasivos y de pulido.

PALANCA DE CAMBIO DE MARCHA

Esta palanca cambia la marcha de rotación del taladro y se utiliza para destornillar y para destrabar brocas de taladrar. Para activar el motor en reversa, suelte el gatillo y, a continuación, mueva la palanca hacia la izquierda (vista desde el extremo del portabrocas) como se muestra en la figura 2. Para operar el taladro en marcha hacia adelante para perforar o atornillar (así como para utilizar otros accesorios) libere el gatillo interruptor y empuje la palanca hacia la derecha (vista desde el extremo del portabrocas).

Después de haber efectuado una operación en reversa, devuelva la palanca hacia la posición de marcha hacia adelante.

BOTON DE ENCENDIDO PERMANENTE

Su taladro está equipado con un dispositivo de encendido permanente. Si desea desactivar esta característica, lleve su herramienta a cualquier centro de servicio autorizado. El centro de servicio le puede proporcionar una llave de seguridad (D) para evitar que la unidad se asegure en el modo de encendido permanente (fig. 3).

OPERACIÓN

⚠ADVERTENCIA: Para reducir el riesgo de lesiones personales graves, apague la herramienta y desconéctela de la fuente de alimentación antes de instalar y retirar accesorios, ajustar o cambiar configuraciones o realizar reparaciones. Un arranque accidental podría causar lesiones.

⚠ADVERTENCIA: Para reducir el riesgo de lesiones personales, asegúrese **SIEMPRE** de sujetar o fijar firmemente la pieza de trabajo. Si va a taladrar un material delgado, utilice un bloque de madera “de respaldo” para evitar dañarlo.

Mango lateral

⚠ADVERTENCIA: Para reducir el riesgo de lesiones personales, opere **SIEMPRE** la herramienta con el mango lateral montado correctamente y apretada. Si no lo hace, el mango lateral se le puede resbalar durante la operación de la herramienta y puede perder el control en consecuencia. Sostenga la herramienta con ambas manos para máximo control.

Su taladro podría incluir un mango lateral. Los siguientes modelos incluyen mangos laterales: DW235G, DW245, DW246. El mango lateral se instala en la parte delantera de la caja de engranajes y se puede rotar 360 grados para uso ambidiestro.

Para Taladrar

- Use solamente brocas para taladro afiladas. Para MADERA, use la configuración de baja velocidad y brocas helicoidales, brocas de pala, brocas salomónicas o sierras perforadoras. Para taladrar en METAL, use la configuración de baja velocidad y brocas helicoidales de acero

rápido o sierras perforadoras. Para MAMPOSTERÍA, tal como ladrillos, cemento, bloques de hormigón, etc., utilice brocas con puntas de carburo indicadas para el taladrado por percusión. Para brocas mayores de 9,5 mm (3/8”), use baja velocidad.

- Aplice siempre presión en línea recta con la broca. Utilice la presión suficiente para mantener la broca funcionando, pero no tanta como para ahogar el motor o ladear la broca.
- Sostenga firmemente la herramienta con ambas manos para controlar la torsión del taladro.

⚠ADVERTENCIA: *el taladro podría atascarse causando un giro repentino. Siempre espere el atascamiento. Tome el taladro firmemente con ambas manos para controlar la acción de giro y evitar lesiones.*

- SI EL TALADRO SE ATASCA**, probablemente se deba a una sobrecarga o al uso inadecuado de la herramienta. **SUELTE EL DISPARADOR INMEDIATAMENTE**, retire la broca de la pieza de trabajo, y determine la causa del atascamiento. **NO OPRIMA EL DISPARADOR PARA INTENTAR DESTRABAR EL TALADRO – PODRÍA DAÑARLO.**
- Para minimizar los atascamientos o las roturas del material, reduzca la presión y deje ir suavemente la broca hacia el final del orificio.
- Mantenga el motor en funcionamiento cuando retire la broca de un orificio taladrado. Esto ayudará a prevenir atascamientos.
- Con los taladros de velocidad variable, no es necesario marcar con un punzón el centro del lugar que desea taladrar. Utilice una velocidad baja para producir el orificio y acelere oprimiendo el disparador más fuerte cuando el orificio sea lo suficientemente profundo para taladrar sin que la broca salte hacia afuera.

TALADRADO EN METAL

Comience taladrando a baja velocidad y aumente a potencia completa mientras aplica presión firme en la herramienta. Un flujo uniforme y suave de astillas metálicas indica que se taladra a la velocidad adecuada. Utilice un lubricante de corte cuando taladre metales. Las excepciones son el bronce y el hierro fundido que deben taladrarse en seco.

NOTA: Los orificios grandes en acero, de 8 a 13 mm (5/16 pulg. a 1/2 pulg.), se pueden perforar más fácilmente si primero se perfora un orificio piloto de 4 a 5 mm (5/32 pulg. a 3/16 pulg.).

TALADRADO EN MADERA

Comience taladrando a baja velocidad y aumente a potencia completa mientras aplica presión firme en la herramienta. Los orificios en madera se pueden realizar con las mismas brocas helicoidales que se utilizan para el metal. Estas brocas pueden sobrecalentarse a menos que se retiren con frecuencia para limpiar las virutas de las ranuras. Las piezas de trabajo que pueden astillarse deben respaldarse con un bloque de madera.

TALADRADO EN MAMPOSTERÍA

Cuando taladre en mampostería, use brocas con puntas de carburo aptas para taladrado por percusión y asegúrese de que la punta esté afilada. Aplique fuerza constante y firme en la herramienta para taladrar con mayor eficacia. Un flujo de virutas uniforme y suave indica que se taladra a la velocidad adecuada.

Portabrocas con llave

Abra las mordazas del portabrocas girando el collarín con los dedos e inserte el vástago de la broca aproximadamente 19 mm (3/4”) dentro del portabrocas. Apriete el collarín del portabrocas a mano. Coloque la llave del portabrocas en cada uno de los tres orificios, y apriete EN EL SENTIDO DE LAS MANECILLAS DEL RELOJ. Es muy importante apretar el portabrocas desde los tres orificios. Para sacar una broca, gire el portabrocas EN SENTIDO CONTRARIO A LAS MANECILLAS DEL RELOJ, desde uno de los orificios, y después continúe a mano. Cualquier centro de servicio autorizado DEWALT puede instalarle a su taladro un portabrocas sin llave en lugar del que tiene.

Portabrocas sin llave

Abra las mordazas del portabrocas girando el collarín de plástico con los dedos e inserte el vástago de la broca aproximadamente 19 mm (3/4 pulg.) en el portabrocas. Apriete el collarín de plástico EN EL SENTIDO DE LAS MANECILLAS DEL RELOJ al mismo tiempo que oprime el botón del seguro de la flecha (E) que se encuentra del lado derecho de la carcaza de la herramienta (fig. 4). Para sacar la broca, gire el collarín de plástico EN SENTIDO CONTRARIO A LAS MANECILLAS DEL RELOJ mientras oprime el botón del seguro de la flecha (fig. 4).

NOTA: NO OPRIMA EL BOTON DEL SEGURO DE LA FLECHA MIENTRAS OPERA EL TALADRO o mientras el portabrocas esté en movimiento.

MANTENIMIENTO

⚠ADVERTENCIA: *Para reducir el riesgo de lesiones personales graves, apague la herramienta y desconéctela de la fuente de alimentación antes de instalar y retirar accesorios, ajustar o cambiar configuraciones o realizar reparaciones. Un arranque accidental podría causar lesiones.*

Limpieza

⚠ADVERTENCIA: *Sople la suciedad y el polvo de todos los conductos de ventilación con aire seco, al menos una vez por semana. Para reducir el riesgo de lesiones, utilice siempre protección para los ojos aprobada ANSI Z87.1 al realizar esta tarea.*

⚠ADVERTENCIA: *Nunca utilice solventes ni otros químicos abrasivos para limpiar las piezas no metálicas de la herramienta. Estos productos químicos pueden debilitar los materiales plásticos utilizados en estas piezas. Utilice un paño humedecido sólo con agua y jabón neutro. Nunca permita que penetre líquido dentro de la herramienta ni sumerja ninguna de las piezas en un líquido.*

Lubricación

Se han empleado baleros auto lubricantes en la fabricación de esta herramienta y no se requiere de lubricación periódica. En el improbable caso que su herramienta llegase a requerir servicio, llévela a un centro de servicio autorizado.

Accesorios

⚠ADVERTENCIA: *Debido a que no se han probado con este producto otros accesorios que no sean los que ofrece DEWALT, el uso de dichos accesorios con esta herramienta podría ser peligroso. Para reducir el riesgo de lesiones, con este producto deben usarse sólo los accesorios recomendados por DEWALT.*

Los accesorios que se recomiendan para utilizar con la herramienta están disponibles a un costo adicional en su distribuidor local o en un centro de mantenimiento autorizado. Si necesita ayuda para localizar algún accesorio, póngase en contacto con DEWALT Industrial Tool Co., 701 East Joppa Road, Towson, MD 21286, llame al 1-800-4-DEWALT (1-800-433-9258) o visite nuestro sitio Web: www.dewalt.com.

Reparaciones

Para asegurar la SEGURIDAD y la CONFIABILIDAD del producto, las reparaciones, el mantenimiento y los ajustes deben (inclusive inspección y cambio de carbones) ser realizados en un centro de mantenimiento en la fábrica DEWALT, en un centro de mantenimiento autorizado DEWALT u por otro personal de mantenimiento calificado. Utilice siempre piezas de repuesto idénticas.

PARA REPARACIÓN Y SERVICIO DE SUS HERRAMIENTAS ELÉCTRICAS, FAVOR DE DIRIGIRSE AL CENTRO DE SERVICIO MÁS CERCANO	
CULIACAN, SIN Blvd.Emiliano Zapata 5400-1 Poniente Col. San Rafael	(667) 717 89 99
GUADALAJARA, JAL Av. La Paz #1779 - Col. Americana Sector Juárez	(33) 3825 6978
MEXICO, D.F. Eje Central Lázaro Cárdenas No. 18 Local D, Col. Obrera	(55) 5588 9377
MERIDA, YUC Calle 63 #459-A - Col. Centro	(999) 928 5038
MONTERREY, N.L. Av. Francisco I. Madero 831 Poniente - Col. Centro	(818) 375 23 13
PUEBLA, PUE 17 Norte #205 - Col. Centro	(222) 246 3714
QUERETARO, QRO Av. San Roque 274 - Col. San Gregorio	(442) 2 17 63 14
SAN LUIS POTOSI, SLP Av. Universidad 1525 - Col. San Luis	(444) 814 2383

TORREON, COAH Blvd. Independencia, 96 Pte. - Col. Centro	(871) 716 5265
VERACRUZ, VER Prolongación Díaz Mirón #4280 - Col. Remes	(229) 921 7016
VILLAHERMOSA, TAB Constitución 516-A - Col. Centro	(993) 312 5111

PARA OTRAS LOCALIDADES:

Si se encuentra en México, por favor llame al (55) 5326 7100

Si se encuentra en U.S., por favor llame al 1-800-433-9258 (1-800 4-DEWALT)

Póliza de Garantía

IDENTIFICACIÓN DEL PRODUCTO:

Sello o firma del Distribuidor.

Nombre del producto: _____ Mod./Cat.: _____

Marca: _____ Núm. de serie: _____

(Datos para ser llenados por el distribuidor)

Fecha de compra y/o entrega del producto: _____

Nombre y domicilio del distribuidor donde se adquirió el producto:

Este producto está garantizado por un año a partir de la fecha de entrega, contra cualquier defecto en su funcionamiento, así como en materiales y mano de obra empleados para su fabricación. Nuestra garantía incluye la reparación o reposición del producto y/o componentes sin cargo alguno para el cliente, incluyendo mano de obra, así como los gastos de transportación razonablemente erogados derivados del cumplimiento de este certificado.

Para hacer efectiva esta garantía deberá presentar su herramienta y esta póliza sellada por el establecimiento comercial donde se adquirió el producto, de no contar con ésta, bastará la factura de compra.

EXCEPCIONES

Esta garantía no será válida en los siguientes casos:

- Cuando el producto se hubiese utilizado en condiciones distintas a las normales;
- Cuando el producto no hubiese sido operado de acuerdo con el instructivo de uso que se acompaña;
- Cuando el producto hubiese sido alterado o reparado por personas distintas a las enlistadas al final de este certificado.

Anexo encontrará una relación de sucursales de servicio de fábrica, centros de servicio autorizados y franquiciados en la República Mexicana, donde podrá hacer efectiva su garantía y adquirir partes, refacciones y accesorios originales.

Registro en línea

Gracias por su compra. Registre su producto ahora para:

- SERVICIO EN GARANTÍA:** Si completa esta tarjeta, podrá obtener un servicio en garantía más eficiente, en caso de que exista un problema con su producto.
- CONFIRMATCIÓN DE PROPIEDAD:** En caso de una pérdida que cubra el seguro, como un incendio, una inundacion o un robo, el registro de propiedad servirá como comprobante de compra.
- PARA SU SEGURIDAD:** Si registra el producto, podremos comunicarnos con usted en el caso improbable que se deba enviar una notificación de seguridad conforme a la Federal Consumer Safety Act (Ley Federal de Seguridad de Productos para el Consumidor).

Registro en línea en www.dewalt.com/register.

Garantía limitada por tres años

DEWALT reparará, sin cargo, cualquier falla que surja de defectos en el material o la fabricación del producto, por hasta tres años a contar de la fecha de compra. Esta garantía no cubre fallas de las piezas causadas por su desgaste normal o abuso a la herramienta. Para mayores detalles sobre la cobertura de la garantía e información acerca de reparaciones realizadas bajo garantía, visítenos en www.dewalt.com o dirígase al centro de servicio más cercano. Esta garantía no aplica a accesorios o a daños causados por reparaciones realizadas o intentadas por terceros. Esta garantía le otorga derechos legales específicos, además de los cuales puede tener otros dependiendo del estado o la provincia en que se encuentre.

Además de la garantía, las herramientas DEWALT están cubiertas por:

1 AÑO DE SERVICIO GRATUITO

DEWALT mantendrá la herramienta y reemplazará las piezas gastadas por su uso normal, sin cobro, en cualquier momento durante un año a contar de la fecha de compra. Los artículos gastados por la clavadora, tales como la unidad de hoja y retorno del impulsador, no están cubiertas.

GARANTÍA DE REEMBOLSO DE SU DINERO POR 90 DÍAS

Si no está completamente satisfecho con el desempeño de su máquina herramienta, láser o clavadora DEWALT, cualquiera sea el motivo, podrá devolverlo hasta 90 días de la fecha de compra con su recibo y obtener el reembolso completo de su dinero – sin necesidad de responder a ninguna pregunta.

AMÉRICA LATINA: Esta garantía no se aplica a los productos que se venden en América Latina. Para los productos que se venden en América Latina, debe consultar la información de la garantía específica del país que viene en el empaque, llamar a la compañía local o visitar el sitio Web a fin de obtener esa información.

REEMPLAZO GRATUITO DE LAS ETIQUETAS DE ADVERTENCIAS: Si sus etiquetas de advertencia se vuelven ilegibles o faltan, llame al 1-800-4-DEWALT (1-800-433-9258) para que se le reemplacen gratuitamente.



ESPECIFICACIONES

	DW217	DW222		
Tensión de alimentación	120 V AC~	120 V AC~		
Consumo de corriente:	6,7 A	6,7 A		
Frecuencia de operación:	50–60 Hz	50–60 Hz		
Rotación sin carga:	0–4 000/min	0–1 250/min		
	DW223G	DW235G	DW245	DW246,
Tensión de alimentación	120 V AC~	120 V AC~	120 V AC~	
Consumo de corriente:	7 A	8,5 A	7,8 A	
Frecuencia de operación:	50–60 Hz	50–60 Hz	50–60 Hz	
Rotación sin carga:	0–1 250/min	0–1000/min	0–600/min	

SOLAMENTE PARA PROPÓSITO DE MÉXICO:
IMPORTADO POR: DEWALT INDUSTRIAL TOOL CO. S.A. DE C.V.
AVENIDA ANTONIO DOVALI JAIME, # 70 TORRE B PISO 9
COLONIA LA FE, SANTA FÉ
CÓDIGO POSTAL : 01210
DELEGACIÓN ALVARO OBREGÓN
MÉXICO D.F.
TEL. (52) 555-326-7100
R.F.C.: BDE810626-1W7

Para servicio y ventas consulte
“HERRAMIENTAS ELÉCTRICAS”
en la sección amarilla.

