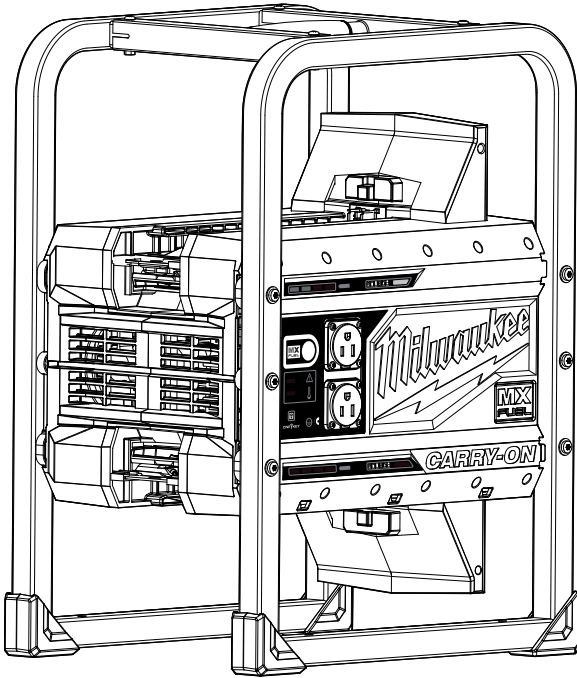




OPERATOR'S MANUAL
MANUEL de L'UTILISATEUR
MANUAL del OPERADOR



Cat. No. / No de cat.
MXF002

MX FUEL™ **CARRY-ON™** 3600W/1800W POWER SUPPLY
ALIMENTATION MX FUEL™ **CARRY-ON™** 3 600W/1 800W
FUENTE DE ALIMENTACIÓN MX FUEL™ **CARRY-ON™**
3 600W/1 800W



WARNING To reduce the risk of injury, user must read and understand operator's manual.

AVERTISSEMENT Afin de réduire le risque de blessures, l'utilisateur doit lire et bien comprendre le manuel.

ADVERTENCIA Para reducir el riesgo de lesiones, el usuario debe leer y entender el manual.

IMPORTANT SAFETY INSTRUCTIONS

WARNING Read all safety warnings and all instructions. Failure to follow the warnings and instructions may result in electric shock, fire and/or serious injury. Save all warnings and instructions for future reference.

WORK AREA SAFETY

•To reduce the risk of injury, close supervision is necessary when an appliance is used near children.

ELECTRICAL SAFETY

- Power cord plugs must match the outlet. Never modify the plug in any way. Do not use any adapter plugs with earthed (grounded) power tools. Unmodified plugs and matching outlets will reduce risk of electric shock.
- Avoid body contact with earthed or grounded surfaces, such as pipes, radiators, ranges and refrigerators. There is an increased risk of electric shock if your body is earthed or grounded.
- To reduce the risk of electric shock, do not put equipment in water or other liquid. Do not place or store appliance where it can fall or be pulled into a tub or sink.
- Do not abuse the cord. Never use the cord for carrying, pulling or unplugging the power tool. Keep cord away from heat, oil, sharp edges or moving parts.
- Arrange cords carefully to avoid hazardous environments. Tripping or snagging on cords can cause injury and product damage. Do not allow cords to run through puddles or across wet ground.
- Do not unplug by pulling on the cord. To unplug, grasp the plug, not the cord.
- Unplug the cord from outlet when not in use and before servicing or cleaning.
- Always use a suitable extension cord to reduce the risk of electric shock.
- If operating a equipment in a damp location is unavoidable, use a ground fault circuit interrupter (GFCI) protected supply. Use of an GFCI reduces the risk of electric shock.

PERSONAL SAFETY

- Do not overreach. Keep proper footing and balance at all times. This enables better control of the power supply in unexpected situations.
- Do not use on a ladder or unstable support. Stable footing on a solid surface enables better control of the power supply in unexpected situations.

BATTERY TOOL USE AND CARE

- Recharge only with the charger specified by the manufacturer. A charger that is suitable for one type of battery pack may create a risk of fire when used with another battery pack.
- Use power supply only with specifically designed battery packs. Use of any other battery packs may create a risk of injury and fire.
- Do not short circuit. A short-circuited battery pack may cause fire, personal injury, and product damage. A battery pack will short circuit if a metal object makes a connection between the positive and negative contacts on the battery pack. Do not place a battery pack near anything that may cause a short circuit, such as coins, keys or nails in your pocket.

- Do not allow fluids to flow into battery pack. Corrosive or conductive fluids, such as seawater, certain industrial chemicals, and bleach or bleach containing products, etc., can cause a short circuit.
- Under abusive conditions, liquid may be ejected from the battery; avoid contact. If contact accidentally occurs, flush with water. If liquid contacts eyes, additionally seek medical help. Liquid ejected from the battery may cause irritation or burns.
- Do not use a battery pack or equipment that is damaged or modified. Damaged or modified batteries may exhibit unpredictable behavior resulting in fire, explosion or risk of injury.
- Do not expose a battery pack or equipment to fire or excessive temperature. Exposure to fire or temperature above 265°F (130°C) may cause explosion.
- Follow all charging instructions and do not charge the battery pack or equipment outside the temperature range specified in the instructions. Charging improperly or at temperatures outside the specified range may damage the battery and increase the risk of fire.

CHARGER USE AND CARE

- Caution - To reduce the risk of injury, charge MILWAUKEE Lithium-Ion packs only in their MILWAUKEE Lithium-Ion charger. Other types of batteries may burst causing personal injury and damage. Do not wire a battery pack to a power supply plug or car cigarette lighter. Batteries will be permanently disabled or damaged.
- Charge only MILWAUKEE MX™ Lithium-Ion packs. Other types of batteries may burst causing personal injury or damage.
- Avoid dangerous environments. Do not charge battery pack in rain, snow, damp or wet locations. Do not use battery pack or charger in the presence of explosive atmospheres (gaseous fumes, dust or flammable materials) because sparks may be generated when inserting or removing battery pack, possibly causing fire.
- Charge in a well ventilated area. Do not block charger vents. Keep them clear to allow proper ventilation. Do not allow smoking or open flames near a charging battery pack. Vented gases may explode.
- Maintain charger cord. When unplugging charger, pull plug rather than cord to reduce the risk of damage to the electrical plug and cord. Never carry charger by its cord. Keep cord from heat, oil and sharp edges. Make sure cord will not be stepped on, tripped over or subjected to damage or stress. Do not use charger with damaged cord or plug. Have a damaged charger replaced immediately.
- Use only recommended attachments. Use of an attachment not recommended or sold by the battery charger or battery pack manufacturer may result in a risk of fire, electric shock or personal injury.
- Unplug charger when not in use. Remove battery packs from unplugged chargers.
- To reduce the risk of electric shock, always unplug charger before cleaning or maintenance. Do not allow water to flow into plug. Use a Ground Fault Circuit Interrupter (GFCI) to reduce shock hazards.
- Store your battery and charger in a cool, dry place. Do not store battery pack where temperatures may exceed 120°F (50°C) such as in direct sunlight, a vehicle or metal building during the summer.

SERVICE

- **Have your power supply serviced by a qualified repair person using only identical replacement parts.** This will ensure that the safety of the power supply is maintained.
- **Never service damaged battery packs.** Service of battery packs should only be performed by the manufacturer or authorized service providers.

SPECIFIC SAFETY RULES

- **This equipment has arcing or sparking parts which should not be exposed to flammable vapors.** Locate equipment at least 18" (457 mm) above the floor when used in a repair facility.
- **Do not expose to rain.**
- **For indoor use or temporary outdoor use.** Exercise reasonable care when using in wet conditions.
- **Connect only to properly grounded outlets.**
- **Do not use if the cord or batteries are damaged in any way.**
- **Use proper extension cord.** Keep cords dry and off the ground; use a GFCI protected circuit while charging.
- **Chemical Burn Hazard.** Keep coin cell battery away from children.
- **Store indoors.**
- **Do not operate multiple power supplies in parallel.**
- **Operating this power supply less than 3' (1 m) from building or other obstruction can cause overheating and damage to the power supply.** For proper cooling, allow at least 3' (1 m) of empty space above and around the power supply.
- **Do not connect power supply output to a building's electrical system.**
- **The power supply ground terminal is connected to the ground terminals of each receptacle.** Before using the ground terminal, consult a qualified electrician, electrical inspector, or local agency having jurisdiction for local codes or ordinances that apply to the intended use of the generator.
- **The power supply is isolated from the frame and from the AC receptacle ground pin.**
- **Electrical devices that require a grounded receptacle pin connection will not function if the receptacle ground pin is not functional.**
- **Do not exceed the load rating of the power supply.** Be mindful of the individual and accumulative electrical load for all attachments. Exceeding the load capacity of the power supply could result in overheating, fire, electrical shock, or injury.
- **Do not overload the power supply's capacity.** Exceeding the power supply's wattage/ampere capacity may damage the power supply and/or electrical devices connected to it.
- **Attachments may require more power consumptions than this power supply is capable of providing.** Check the attachment's manual to avoid damage to the attachment or risk of personal injury.
- **Always follow all safety rules recommended by the manufacturer of attachments.**
- **Do not use this power supply to provide power for emergency medical equipment or life support devices.**
- **Never leave the power supply unattended while in use.**

- **Know your power supply.** Read operator's manual carefully. Learn its applications and limitations, as well as the specific potential hazards related to this product. Do not alter or modify the power supply from the original design or function. Misuse and improper handling can cause injury.
- **Always use common sense and be cautious when using tools.** It is not possible to anticipate every situation that could result in a dangerous outcome. Do not use this tool if you do not understand these operating instructions or you feel the work is beyond your capability; contact Milwaukee Tool or a trained professional for additional information or training.
- **Maintain labels and nameplates.** These carry important information. If unreadable or missing, contact a MILWAUKEE service facility for a free replacement.

INSTALLATION

GROUNDING

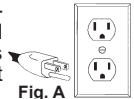
⚠ DANGER Improperly connecting the grounding wire can result in the risk of electric shock. Check with a qualified electrician if you are in doubt as to whether the outlet is properly grounded. Do not modify the plug provided with the equipment. Never remove the grounding prong from the plug. Do not use the equipment if the cord or plug is damaged. If damaged, have it repaired by a MILWAUKEE service facility before use. If the plug will not fit the outlet, have a proper outlet installed by a qualified electrician.

Grounded Tools (Three-Prong Plugs)

Tools marked "Grounding Required" have a three wire cord and three prong grounding plug. The plug must be connected to a properly grounded outlet (See Figure A). If the tool should electrically malfunction or break down, grounding provides a low resistance path to carry electricity away from the user, reducing the risk of electric shock.

The grounding prong in the plug is connected through the green wire inside the cord to the grounding system in the tool. The green wire in the cord must be the only wire connected to the tool's grounding system and must never be attached to an electrically "live" terminal.

Your tool must be plugged into an appropriate outlet, properly installed and grounded in accordance with all codes and ordinances. The plug and outlet should look like those in Figure A.



EXTENSION CORDS

Grounded tools require a three wire extension cord. Double insulated tools can use either a two or three wire extension cord. As the distance from the supply outlet increases, you must use a heavier gauge extension cord. Using extension cords with inadequately sized wire causes a serious drop in voltage, resulting in loss of power and possible tool damage. Refer to the table shown to determine the required minimum wire size.

The smaller the gauge number of the wire, the greater the capacity of the cord. For example, a 14 gauge cord can carry a higher current than a 16 gauge cord. When using more than one extension cord to make up the total length, be sure each cord contains at least the minimum wire size required. If you are using one extension cord for more than one tool, add the nameplate amperes and use the sum to determine the required minimum wire size.

Guidelines for Using Extension Cords

- If you are using an extension cord outdoors, be sure it is marked with the suffix "W-A" ("W" in Canada) to indicate that it is acceptable for outdoor use.
- Be sure your extension cord is properly wired and in good electrical condition. Always replace a damaged extension cord or have it repaired by a qualified person before using it.
- Protect your extension cords from sharp objects, excessive heat and damp or wet areas.

Recommended Minimum Wire Gauge For Extension Cords*					
Nameplate Amps	Extension Cord Length				
	25'	50'	75'	100'	150'
0 - 2.0	18	18	18	18	16
2.1 - 3.4	18	18	18	16	14
3.5 - 5.0	18	18	16	14	12
5.1 - 7.0	18	16	14	12	12
7.1 - 12.0	16	14	12	10	--
12.1 - 16.0	14	12	10	--	--
16.1 - 20.0	12	10	--	--	--

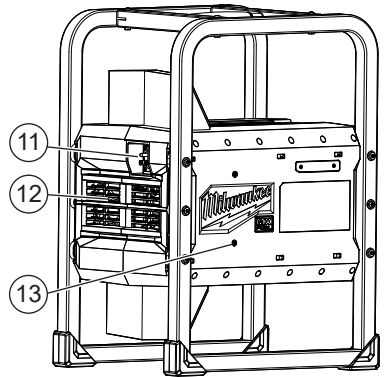
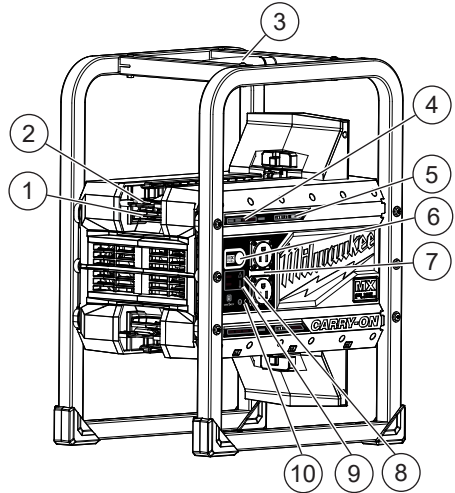
* Based on limiting the line voltage drop to five volts at 150% of the rated amperes.

READ AND SAVE ALL INSTRUCTIONS FOR FUTURE USE.

SPECIFICATIONS

Cat. No.	MXF002
Battery Type	MX FUEL™
Charger Type.....	MX FUEL™
Module/FCC ID.....	BLE113/QOQBLE113
Rated Input Voltage.....	120 V AC
Rated Input Amps.....	3.9 A
Rated Output Voltage (Charger).....	72 V DC
Rated Output Amps (Charger).....	4.5 A DC
Rated Output (Receptacle)	
Peak Watts	3600 W
Continuous Watts	1800 W
Voltage.....	120 V
Rated Frequency	60 Hz
Recommended Ambient	
Charging Temperature.....	40°F to 105°F (5°C to 40°C)

FUNCTIONAL DESCRIPTION



1. Battery latch lever
2. Battery lock ring
3. Carry handle
4. Fuel gauge
5. Battery charging status / charger indicator
6. Arm button
7. AC outlets
8. Overload indicator
9. Overheat indicator
10. Grounding terminal
11. AC input
12. Fan
13. M12™/M18™ charger screw mounts

SYMBOLOLOGY



Volts



Direct Current



Alternating Current



Amps



Hertz



Read operator's manual



WARNING Risk of Electric Shock



Overload indicator



Overtemperature indicator



Grounding terminal



Backfeed Protected



Intertek's ETL Listing for
Canada and U.S. Conforms To UL
STD 1012 Certified To CSA STD
C22.2 No. 300

ASSEMBLY

WARNING Recharge only with the charger specified for the battery. For specific charging instructions, read the operator's manual supplied with your charger and battery.

Removing/Inserting the Battery

To **remove** the battery, push the battery latch lock to the side and squeeze the battery latch lever. Pull the battery pack away from the machine.

To **insert** the battery, slide the pack into the body of the machine. Make sure it latches securely into place.

GENERAL OPERATION

Power Supply Capacity

Make sure the power supply can supply enough continuous (running) and surge (starting) watts for the items being powered at the same time.

1. Select the items to be powered at the same time.
2. Total the continuous (running) watts of these items. This is the amount of power the power supply must produce to keep the items running. See wattage reference chart.

3. Estimate how many surge (starting) watts will be needed. Surge wattage is the short burst of power needed to start electric motor-driven tools or appliances such as a circular saw. Because not all motors start at the same time, total surge watts can be estimated by adding only the item(s) with the highest additional surge watts to the total rated watts from step 2.

Power Management

To prolong the life of the power supply and attached devices, it is important to take care when adding electrical loads to the power supply. There should be nothing connected to the power supply outlets before starting the machine. The correct and safe way to manage power supply power is to sequentially add loads, as follows:

1. With nothing connected to the power supply, start the machine (see "Arming the Machine").
2. Plug in and turn on the first load, preferably the largest load.
3. Permit the power supply output to stabilize (power supply runs smoothly and attached device operates properly).
4. Plug in and turn on the next load.
5. Again, permit the power supply to stabilize.
6. Never add more loads than the power supply capacity. Take special care to consider surge loads in power supply capacity as previously described.

Application/ Equipment	Estimated Watts*	Estimated Starting Watts*
Job Site		
Electric Drill - 3/8"	600	1000
Work Light	1000	1000
Reciprocating Saw	960	1920
Circular Saw - 7-1/4"	1400	2300
Miter Saw - 10"	1800	2800
Air Compressor 1/4 HP	970	1600
Airless Sprayer 1/3 HP	600	1200
Radio	50	50
M18™/M12™ Standard Charger (48-59-1812)	60	60
M18™/M12™ Rapid Charger (48-59-1808)	75(M12™) 120 (M18™)	75(M12™) 120 (M18™)
Lifestyle		
Microwave	1000	1000
TV	50-300	50-300
Satellite Receiver	250	250
Portable Fan	40	120
Heater	1300	1300
String Lights	50-150	50-150
Laptop	50-150	50-150
Tablet	15	15
Cellphone	5	5
*Wattages listed are approximate. Check tool or appliance for actual wattage.		

Arming the Machine

MX FUEL™ machines must be armed prior to use. Even with the battery pack inserted, functions will not operate until the machine is armed.

To arm the machine:

1. Insert the battery pack.
2. Press the Arm button. The MX FUEL™ icon will light and the LEDs are now operational.
NOTE: The internal fan will operate whenever the machine is in use.
3. Press and hold the ARM button for 2 seconds to unarm (turn off) the machine. The MX FUEL™ icon will go off.
NOTE: The internal fan will continue to operate for a short time after the machine has been turned off.

Onboard Fuel Gauge LEDs and Alert Tones

Onboard Fuel Gauge LEDs display real-time battery levels for their respective MX battery. When the machine detects a low battery condition, a dead battery, an overload, or overtemp condition, the user will be alerted with an audible tone(s). Investigate the root cause of the tone(s) to continue use.

Overload and Overtemperature Conditions

When an overload or overtemperature condition occurs, the machine will produce a unique tone and the respective icon will light. Take the appropriate action, such as turning off or reducing the load on the machine, or allowing the machine to rest (cool down) before continuing use.

Cold Weather Operation

MILWAUKEE Li-Ion battery packs are designed to operate in temperatures below freezing. The machine provides full power output 3600W/1800W down to 20°F (-7°C). The machine provides a max output of 1000W in temperatures from 20°F to -4°F (-7°C to -20°C). If 1000W is exceeded, an audible tone will be heard, and 1 LED will flash on the fuel gauge. Reset the machine and battery pack by plugging into AC power and removing/reinserting the battery.

ONE-KEY™

To learn more about the ONE-KEY™ functionality for this tool, go to milwaukeetool.com/One-Key. To download the ONE-KEY™ app, visit the App Store or Google Play from your smart device.

ONE-KEY™ Indicator	
Solid Blue	Wireless mode is active and ready to be configured via the ONE-KEY™ app.
Blinking Blue	Tool is actively communicating with the ONE-KEY™ app.
Blinking Red	Tool is in security lockout and can be unlocked by the owner via the ONE-KEY™ app.

CHARGER OPERATION

⚠ WARNING Charge only MILWAUKEE MX™ Lithium-Ion batteries in this MILWAUKEE Lithium-Ion charger. Other types of batteries may cause personal injury and damage.

When to Charge the Battery Pack

Remove the battery pack from the tool for charging when convenient for you and your job. MILWAUKEE batteries do not develop a "memory" when charged after only a partial discharge. It is not necessary to run down the battery pack before placing it on the charger.

- Use the Fuel Gauge to determine when to charge your MILWAUKEE Lithium-Ion battery pack.
- You can "Top-Off" your battery pack's charge before starting a big job or long day of use.
- The only time it is necessary to charge the MILWAUKEE Lithium-Ion battery pack is when the battery pack has reached the end of its charge. To signal the end of charge, power to the tool will drop quickly, allowing you just enough power to finish making a cut, drilling a hole, or driving a fastener. Charge the battery pack as needed.

How to Charge the Battery Pack

Align the battery pack with the bay and slide the battery pack into the charger as far as possible. The red light will come on, either flashing quickly (battery pack or charger is too hot or cold), flashing slowly (communication between pack and charger) or continuous (pack is charging).
• When a battery pack is inserted into the charger, the LEDs will indicate the following:



Continuous red: Charging



Continuous green light: Charging is complete



Flashing red: Battery is too hot/cold



Charging will begin when battery reaches correct charging temperature



Flashing red/green: Damaged or faulty battery pack

- The next battery pack inserted in the charger will begin charging when the previous pack is fully charged.
- A fully discharged battery pack with an internal temperature in the normal range will charge in about 45 to 90 minutes, depending on the battery pack and internal temperature of the charger.
- Heavily cycled batteries may take longer to charge completely.
- The fuel gauge lights are displayed as the pack is being charged, indicating how fully charged the pack is. The fuel gauge will turn off when charging is complete.
- After charging is complete, the continuous green light will come on.
- The charger will keep the battery pack fully charged if it is left on the charger. The light indicator will be same as normal charging.
- If the light indicator flashes red and green, check that the battery pack is fully seated into the bay. Remove the battery pack and reinsert. If the light continues to flash red and green, remove pack(s) and unplug charger for at least 2 minutes. After 2 minutes, plug

charger back in and insert pack. If the problem persists, contact a MILWAUKEE service facility.

• If the light indicator does not come on, check that the battery pack is fully seated into the bay. Remove the battery pack and reinsert. If the light indicator still does not come on, remove pack(s) and unplug charger for at least 2 minutes. After 2 minutes, plug charger back in and insert pack. If after these attempts the light indicator still does not come on, contact a MILWAUKEE service facility.

Charging a Hot or Cold Battery Pack

The Red Flashing Indicator light on the charger indicates that the battery pack temperature is outside the charging range. Once the battery pack is within the acceptable range, normal charging will take place and the red light will be continuous. Hot or cold batteries may take longer to charge.

Lithium-Ion Charging Status

Battery Pack Temperature	Red Charger Indicator Light	Charging Status
Too Hot	Fast Flashing	Not charging
Normal Range	Continuous	Normal charging
Too Cold	Fast Flashing	Not charging

MAINTENANCE

WARNING To reduce the risk of injury, always unplug the tool and charger and remove the battery pack from the charger or tool before performing any maintenance. Never disassemble the tool, battery pack or charger. Contact a MILWAUKEE service facility for ALL repairs.

To reduce the risk of fire, personal injury, and product damage due to a short circuit, never immerse your tool, battery pack or charger in fluid or allow a fluid to flow inside them. Corrosive or conductive fluids, such as seawater, certain industrial chemicals, and bleach or bleach containing products, etc., can cause a short circuit.

Maintain Power Supply

Keep your power supply in good repair by adopting a regular maintenance program. If the power supply does not work properly, return the power supply to a MILWAUKEE service facility for repairs.

ONE-KEY™

WARNING Chemical Burn Hazard. This device contains a lithium button/coin cell battery. A new or used battery can cause severe internal burns and lead to death in as little as 2 hours if swallowed or enters the body. Always secure the battery cover. If it does not close securely, stop using the device, remove the batteries, and keep it away from children. If you think batteries may have been swallowed or entered the body, seek immediate medical attention.



Internal Battery

An internal battery is used to facilitate full ONE-KEY™ functionality.

To replace the battery:

1. Remove the battery pack.
2. Remove the screw(s) and open the battery door.
3. Remove the old battery, keep it away from children, and dispose of it properly.
4. Insert the new battery (3V CR2032), with the positive side facing up.
5. Close the battery door and tighten the screw(s) securely.

WARNING To reduce the risk of personal injury and damage, never immerse your tool, battery pack or charger in liquid or allow a liquid to flow inside them.

Cleaning

Clean dust and debris from vents. Keep handles clean, dry and free of oil or grease. Use only mild soap and a damp cloth to clean, since certain cleaning agents and solvents are harmful to plastics and other insulated parts. Do not use sprays or solvents. Some of these include gasoline, turpentine, lacquer thinner, paint thinner, chlorinated cleaning solvents, ammonia and household detergents containing ammonia. Never use flammable or combustible solvents around tools.

Cleaning the Battery and Battery Bay

Keep battery connections and surfaces between the machine and battery free of debris and materials. Failure to keep surfaces clean may result in misalignment and/or damage to the battery connection.

Repairs

For repairs, return the tool, battery pack and charger to the nearest authorized service center.

ACCESSORIES

WARNING Use only recommended accessories. Others may be hazardous.

For a complete listing of accessories, go online to www.milwaukeeetool.com or contact a distributor.

WIRELESS COMMUNICATION

For products provided with wireless communication features, including ONE-KEY™:

Pursuant to part 15.21 of the FCC Rules, do not modify this product. Modification could void your authority to operate the product. This device complies with part 15 of the FCC Rules and ISSED-Canada's license exempt RSS standards. Operation is subject to the following two conditions: 1) This device may not cause harmful interference, and 2) This device must accept any interference received, including interference that may cause undesired operation.

SERVICE - UNITED STATES

1-800-SAWDUST (1.800.729.3878)

Monday-Friday, 7:00 AM - 6:30 PM CST

or visit www.milwaukeetool.com

Contact Corporate After Sales Service Technical Support with technical, service/repair, or warranty questions.

Email: metproductsupport@milwaukeetool.com

Become a Heavy Duty Club Member at www.milwaukeetool.com to receive important notifications regarding your tool purchases.

SERVICE - CANADA

Milwaukee Tool (Canada) Ltd

1.800.268.4015

Monday-Friday, 7:00 AM - 4:30 PM CST

or visit www.milwaukeetool.ca

LIMITED WARRANTY USA & CANADA

Every MILWAUKEE MX FUEL™ Product, battery pack, and charger is warranted to the original purchaser only to be free from defects in material and workmanship. Subject to certain exceptions, MILWAUKEE will repair or replace a MX FUEL™ product, battery pack, or charger which, after examination, is determined by MILWAUKEE to be defective in material or workmanship for a period of two (2) years after the date of purchase. Return of the MX FUEL™ product, battery pack, or charger to a MILWAUKEE factory Service Center location or MILWAUKEE Authorized Service Station, freight prepaid and insured, is required. For the proper shipping procedure of battery packs, contact 1.800.SAWDUST (1.800.729.3878), or go to www.milwaukeetool.com. A copy of the proof of purchase should be included with the return product. This warranty does not apply to damage that MILWAUKEE determines to be from repairs made or attempted by anyone other than MILWAUKEE authorized personnel, misuse, alterations, abuse, normal wear and tear, lack of maintenance, or accidents.

Normal Wear. Many MX FUEL™ products need periodic parts replacement and service to achieve best performance. This warranty does not cover repair when normal use has exhausted the life of a part including, but not limited to, assist & drive belts, pulleys, blade flanges, vacuum gaskets, tool free handles, set pins, skis, driver couplers, rubber boots, auto feed, stabilize blocks, wheels, carrier wheels, cords, o-rings, seals, bumpers, driver blades, pistons, strikers, lifters, tool holder, and bumper cover washers.

Warranty Registration is not necessary to obtain the applicable warranty on a MX FUEL™ product, battery pack, or charger.

ACCEPTANCE OF THE EXCLUSIVE REPAIR AND REPLACEMENT REMEDIES DESCRIBED HEREIN IS A CONDITION OF THE CONTRACT FOR THE PURCHASE OF EVERY MILWAUKEE PRODUCT. IF YOU DO NOT AGREE TO THIS CONDITION, YOU SHOULD NOT PURCHASE THE PRODUCT. IN NO EVENT SHALL MILWAUKEE BE LIABLE FOR ANY INCIDENTAL, SPECIAL, CONSEQUENTIAL OR PUNITIVE DAMAGES, OR FOR ANY COSTS, ATTORNEY FEES, EXPENSES, LOSSES OR DELAYS ALLEGED TO BE AS A CONSEQUENCE OF ANY DAMAGE TO, FAILURE OF, OR DEFECT IN ANY PRODUCT INCLUDING, BUT NOT LIMITED TO, ANY CLAIMS FOR LOSS OF PROFITS. SOME STATES DO NOT ALLOW THE EXCLUSION OR LIMITATION OF INCIDENTAL OR CONSEQUENTIAL DAMAGES, SO THE ABOVE LIMITATION OR EXCLUSION MAY NOT APPLY TO YOU. THIS WARRANTY IS EXCLUSIVE AND IN LIEU OF ALL OTHER EXPRESS WARRANTIES, WRITTEN OR ORAL TO THE EXTENT PERMITTED BY LAW, MILWAUKEE DISCLAIMS ANY IMPLIED WARRANTIES, INCLUDING WITHOUT LIMITATION ANY IMPLIED WARRANTY OF MERCHANTABILITY OR FITNESS FOR A PARTICULAR USE OR PURPOSE. TO THE EXTENT SUCH DISCLAIMER IS NOT PERMITTED BY LAW, SUCH IMPLIED WARRANTIES ARE LIMITED TO THE DURATION OF THE APPLICABLE EXPRESS WARRANTY AS DESCRIBED ABOVE. SOME STATES DO NOT ALLOW LIMITATIONS ON HOW LONG AN IMPLIED WARRANTY LASTS. SO THE ABOVE LIMITATION MAY NOT APPLY TO YOU. THIS WARRANTY GIVES YOU SPECIFIC LEGAL RIGHTS, AND YOU MAY ALSO HAVE OTHER RIGHTS WHICH VARY FROM STATE TO STATE.

This warranty applies to product sold in the U.S.A. and Canada only. Please consult the 'Service Center Search' in the Parts & Service section of MILWAUKEE's website www.milwaukeetool.com or call 1.800.SAWDUST (1.800.729.3878) to locate your nearest service facility for warranty and non-warranty service on a MX FUEL™ product, battery pack or charger.

INSTRUCTIONS IMPORTANTES CONCERNANT LA SÉCURITÉ

⚠️ AVERTISSEMENT Lire tous les avertissements et toutes les consignes de sécurité. Ne pas suivre l'ensemble des avertissements et des instructions peut causer une électrocution, un incendie et/ou des blessures graves. Garder tous les avertissements et toutes les consignes à des effets de référence ultérieure.

SÉCURITÉ DU LIEU DE TRAVAIL

• Afin de minimiser le risque de blessures, superviser attentivement lorsque le produit est utilisé en présence d'enfants.

SÉCURITÉ ÉLECTRIQUE

- Les fiches des cordons d'alimentation doivent correspondre à la prise secteur utilisé. Ne jamais modifier la fiche, de quelque façon que ce soit. Ne jamais utiliser d'adaptateurs de fiche avec des outils mis à la terre. Les fiches et prises non modifiées réduisent le risque de choc électrique.
- Éviter tout contact avec des surfaces mises à la terre comme des tuyaux, des radiateurs, des cuisinières et des réfrigérateurs. Le risque de choc électrique est accru lorsque le corps est mis à la terre.
- Afin de minimiser le risque de choc électrique, ne pas mettre l'équipement ni dans l'eau ni dans aucun autre type de liquide. Ne pas placer ou entreposer le produit dans d'endroits où il est possible qu'il tombe par terre, dans une baignoire ou un lavabo.
- Ne pas maltraiter le cordon d'alimentation. Ne jamais utiliser le cordon d'alimentation pour transporter l'outil et ne jamais débrancher ce dernier en tirant sur le cordon. Garder le cordon à l'écart de la chaleur, de l'huile, des objets tranchants et des pièces en mouvement.
- Arranger les cordons soigneusement afin d'éviter de situations dangereuses. Les trébuchements et l'accrochage avec de cordons pourra causer de blessures physiques et de dommages au produit. Ne pas laisser les cordons passer sur de flaques ou de planchers humides.
- Ne pas débrancher le produit en tirant sur le cordon. Pour le débrancher, tirer plutôt de la fiche.
- Débrancher le cordon de la prise tout fois que le produit n'est pas utilisé et avant d'entreprendre un processus de service ou nettoyage.
- Toujours se servir d'un cordon prolongateur afin de minimiser le risque de choc électrique.
- Si l'utilisation d'un équipement est inévitable dans un endroit humide, utiliser une source d'alimentation munie d'un disjoncteur de fuite de terre. L'utilisation d'un tel dispositif minimise le risque de choc électrique.

SÉCURITÉ PERSONNELLE

- Ne pas travailler hors de portée. Toujours se tenir bien campé et en équilibre. Ceci permettra une bonne stabilité procurant un meilleur contrôle de l'équipement en cas d'imprévu.

• **Ne pas utiliser l'équipement sur une échelle ou un support instable.** Une bonne tenue et un bon équilibre permettent de mieux contrôler la source d'alimentation en cas de situation imprévue.

UTILISATION ET ENTRETIEN DE LA BATTERIE

• **Ne recharger qu'avec le chargeur spécifié par le fabricant.** Un chargeur pouvant convenir à un type de bloc-piles peut entraîner un risque d'incendie lorsqu'il est utilisé avec un autre type de bloc-piles.

• **N'utiliser la source d'alimentation qu'avec les blocs-piles recommandés.** L'utilisation de tout autre bloc-piles peut créer un risque de blessures et d'incendie.

• **Ne pas court-circuiter.** Un bloc-piles court-circuité pourra mener un incendie, des blessures physiques et endommager le produit. Un bloc-piles court-circuitera si un objet métallique établit une connexion entre les contacts positif et négatif du bloc-piles. Mettre le bloc-piles à l'écart de tout ce qui pourra cause un court-circuit, tel que des pièces de monnaie, des clés ou de clous dans votre poche.

• **Ne pas laisser les fluides entrer dans le bloc-piles.** Les fluides corrosifs et conducteurs, tels que l'eau de mer, quelques produits chimiques industriels et solutions d'eau de Javel ou d'autres produits ayant de l'hypochlorite, etc., pourront provoquer des courts-circuits.

• **Éviter tout contact avec le liquide pouvant être éjecté de la batterie en cas de manutention abusive.** En cas de contact accidentel, rincer immédiatement les parties atteintes avec de l'eau. Si le liquide entre en contact avec les yeux, consulter un médecin. Le liquide s'échappant des batteries peut causer des irritations ou des brûlures.

• **Ne pas utiliser les blocs-piles ni l'équipement endommagés ou modifiés.** Les batteries endommagées ou modifiées pourront montrer un comportement imprévisible qui entraînera des incendies, des explosions et même de risques de blessures.

• **Ne pas exposer le bloc-piles ou l'équipement au feu ou à une température extrême.** L'exposition à des feux ou des températures excédantes les 130 °C (265 °F) pourra entraîner des explosions.

• **Suivre toutes les consignes de chargement de batteries et ne pas charger ni le bloc-piles ni l'équipement à de températures supérieures à celles listées dans les instructions.** Le chargement inadéquat ou les températures excessives pourront endommager la batterie et augmenter le risque d'incendie.

EMPLOI ET ENTRETIEN DU CHARGEUR

• **Précaution - Afin de minimiser le risque de blessures, charger les bloc-piles au lithium-ion MILWAUKEE uniquement avec le chargeur exclusif pour bloc-piles au lithium-ion MILWAUKEE.** Les batteries d'autres types peuvent exploser et causer des dommages et blessures. Ne pas relier un bloc de batterie à une prise secteur ou un allume-cigare. Les batteries seront constamment désactivées ou endommagées.

• **Ne charger que les blocs-piles au lithium ion MILWAUKEE MX™.** D'autres types de batteries pourront exploser, ce qui causera de blessures physiques et de dommages.

• **Éviter les environnements dangereux.** Ne pas charger le bloc-piles dans sous la pluie, la neige ni d'endroits humides ou mouillés. Ne pas utiliser le bloc-piles ni le chargeur dans un endroit propice aux explosifs (fumées gazeuses, poussières ou matériaux inflammables) car l'insertion ou le retrait du bloc-piles pourrait alors créer des étincelles, ce qui risque de causer un incendie.

• **Charger dans une aire bien ventilée.** Ne pas bloquer les événements d'aération. S'assurer que les événements ne sont pas obstrués afin de permettre une ventilation correcte. Ne pas laisser de fumées ni de flammes sans contrôle auprès d'un bloc-piles qui se recharge. Les gaz à évent pourront exploser.

• **Bien conserver le cordon du chargeur.** Lorsque le chargeur est débranché, tirer plutôt de la fiche afin de minimiser le risque de dommages causés au cordon et à la fiche. Ne jamais prendre le chargeur par le cordon. Garder le cordon à l'écart de la chaleur, de l'huile et des objets tranchants. S'assurer que le cordon ne se trouve pas dans un endroit où il risque d'être piétiné, accroché, endommagé ou maltraité. Ne pas utiliser le chargeur si le cordon ou la fiche sont endommagés. Remplacer immédiatement tout chargeur endommagé.

• **N'utiliser que les accessoires recommandés.** L'usage d'un accessoire non recommandé ou vendu par le fabricant du chargeur du bloc-piles ou celui du bloc-piles pourra entraîner un risque d'incendie, de choc électrique ou de blessures physiques.

• **Débrancher le chargeur** lorsqu'il n'est pas utilisé. Retirer les bloc-piles des chargeurs débranchés.

• **Afin de minimiser le risque de choc électrique,** toujours débrancher le chargeur avant d'entreprendre tout action de nettoyage ou de réparation. Ne pas laisser l'eau couler à l'intérieur de la fiche. Pour minimiser les dangers de décharge, utiliser un disjoncteur de fuite de terre.

• **Entreposer votre bloc-piles et chargeur** dans un endroit frais et sec. Ne pas entreposer le bloc-piles dans des endroits où la température peut dépasser 50° C (120° F), tels qu'un endroit exposé directement aux rayons du soleil, un véhicule ou une construction en métal pendant l'été.

DÉPANNAGE

• **Les réparations doivent être confiées à un technicien qualifié, utilisant exclusivement des pièces identiques à celles d'origine.** Le maintien de la sûreté de l'outil électrique sera ainsi assuré.

• **Ne jamais entretenir les bloc-piles endommagés.** L'entretien des blocs-piles ne devra être confié qu'au fabricant ou aux fournisseurs de service autorisés.

RÈGLES DE SÉCURITÉ PARTICULIÈRES

• **Cet équipement comporte de pièces produisant d'étincelles et d'amorçage, lesquelles ne devront jamais être exposées à de vapeurs inflammables.** Placer l'équipement à une distance 457 mm (18") sur le plancher lorsqu'il est utilisé à l'intérieur d'une installation de réparations.

• **Ne pas l'exposer à la pluie.**

• **À utiliser à l'intérieur ou bien, l'utiliser à l'extérieur temporairement.** Veuillez prendre soin lorsque l'équipement est utilisé dans de situations humides.

• **Relier seulement à de prises correctement mises à la terre.**

• **Ne pas l'utiliser si le cordon ou les batteries ont subies des dommages quelconques.**

- Utiliser un cordon prolongateur approprié. Garder les cordons au sec et débranchés de la terre ; utiliser un circuit avec de la protection GFCI lors du chargement.
- Risque de brûlure chimique. Tenir le bloc-piles type bouton hors de la portée des enfants.
- Ce produit contient une pile type bouton au lithium. Une pile neuve ou usagée peut provoquer de graves brûlures internes, et entraîner la mort en moins de 2 heures en cas d'ingestion ou d'insertion dans le corps. Toujours fixer le couvercle du compartiment des piles. S'il n'est pas fixé de manière sécurisée, arrêter d'utiliser l'outil, retirer les piles et garder hors de portée des enfants. Si vous pensez que des piles ont été ingérées ou insérées dans le corps, consulter un médecin immédiatement.
- Entreposer à l'intérieur.
- Ne pas utiliser plusieurs sources d'alimentation en simultané.
- L'usage de cette source d'alimentation à une distance de moins de 1 m (3') d'une construction ou de tout autre obstruction pourra entraîner du surchauffage et des dommages. Afin d'achever un refroidissement approprié, laisser au moins 1 m (3') de distance tout autour de la source d'alimentation.
- Ne pas relier au système électrique d'un bâtiment sauf si la source d'alimentation et l'interrupteur de transfert aient été mis en place correctement et la puissance électrique de sortie a été vérifiée par un électricien qualifié. La connexion doit isoler la puissance du générateur provenant de la ligne électrique et elle doit être conforme à toutes les lois et les codes d'électricité correspondants.
- La terminale de mise à terre de la source d'alimentation est reliée aux terminales de chacune des prises. Avant d'utiliser la terminale de mise à terre, consulter un électricien qualifié, un inspecteur d'électricité ou bien, une agence locale ayant la juridiction par rapport aux codes et aux ordonnances qui correspondent à l'emploi prévu du générateur.
- La source d'alimentation (enroulement statorique) est isolée du cadre et de la broche à mise à terre de la prise de courant alternatif (CA).
- Les appareils électriques ayant besoin d'une connexion à broche pour prise mise à terre ne marchera pas si la broche de mise à terre de la prise n'est pas fonctionnelle.
- Ne pas dépasser la charge listée de la source d'alimentation. Il faut tenir compte de la charge électrique accumulée et individuelle de tous les accessoires. Dépasser la capacité de charge de la source d'alimentation pourra entraîner un surchauffage, un incendie, un choc électrique ou bien, de blessures.
- Ne pas surcharger la capacité de la source d'alimentation. Dépasser la capacité de consommation/ d'intensité de courant de la source d'alimentation pourra endommager la source d'alimentation et les appareils électriques y reliés.
- Les accessoires pourront nécessiter une consommation de puissance supérieure à celle que la source d'alimentation est capable de générer. Consulter le manuel de l'accessoire afin d'éviter tout dommage ou risque de blessures physiques.
- Toujours suivre toutes les règles de sécurité conseillées par le fabricant des accessoires.
- Ne pas utiliser cette source d'alimentation pour fournir de l'énergie à d'équipement médical ou à d'unités de suppléance.
- Ne jamais laisser la source d'alimentation sans surveillance lors de sa mise à l'emploi.
- Veiller à bien connaître votre source d'alimentation. Lire attentivement le manuel d'utilisation. Apprendre les applications et les limites du produit, ainsi que les risques spécifiques relatifs à son utilisation. Ne pas altérer ni modifier la source d'alimentation pour d'applications pour lesquelles elle n'est pas conçue. L'usage abusif et le maniement incorrect pourront causer de blessures.
- Toujours faire preuve de bons sens et procéder avec prudence lors de l'utilisation d'outils. C'est impossible de prévoir toutes les situations qui pourraient avoir un résultat dangereux. N'utilisez pas cet outil si vous ne comprenez pas ces instructions d'opération ou si vous pensez que le travail dépasse votre capacité ; veuillez contacter Milwaukee Tool ou un professionnel pour recevoir plus d'information ou formation.
- Maintenir en bon état les étiquettes et les plaques signalétiques. Des informations importantes y figurent. Si elles sont illisibles ou manquantes, contacter un centre de services et d'entretien MILWAUKEE pour un remplacement gratuit.

INSTALLATION

MISE À LA TERRE

⚠ DANGER L'emploi d'une rallonge incorrecte peut entraîner des risques de choc électrique. En cas de doute à propos de la mise à terre correcte de la prise, consulter un électricien qualifié. Ne pas modifier la fiche fournie avec l'équipement. Ne jamais retirer la broche de mise à terre de la fiche. Ne pas utiliser l'équipement si le cordon ou la fiche sont endommagés. S'ils sont endommagés, avant de les utiliser, veuillez les envoyer à un centre de service MILWAUKEE à d'effets de réparation. S'il n'est pas possible d'insérer la fiche dans la prise, faire installer une prise adéquate par un électricien qualifié.

Outils de mise à terre (fiche à trois broches)

Les outils marqués comme « mise à la terre requise » comportent un cordon à trois câbles et une fiche à mise à la terre à trois broches. La fiche doit être insérée dans une prise correctement mise à la terre (voire la figure A). Si l'outil tombe en panne ou bien, a une défaillance électrique, la mise à la terre sert à mettre en place un chemin à faible résistance qui acheminera l'électricité loin de l'utilisateur, ce qui minimisera le risque de choc électrique.

La broche de mise à la terre sur la fiche est reliée au fil vert, qui se trouve à l'intérieur du cordon, vers le système de mise à la terre dans l'outil. Le fil vert dans le cordon doit être le seul fil connecté au système de mise à la terre de l'outil et ne doit jamais être relié à une terminale « sous tension ».

Votre outil doit être relié à une prise appropriée, installée correctement et bien mis à la terre selon les consignes qui figurent dans tous les codes et toutes les ordonnances. La fiche et la prise doivent se ressembler à celles montrés dans la figure A.

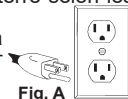


Fig. A

CORDONS DE RALLONGE

Si l'emploi d'un cordon de rallonge est nécessaire, un cordon à trois fils doit être employé pour les outils mis à la terre. Pour les outils à double isolation, on peut employer indifféremment un cordon de rallonge à deux ou trois fils. Plus la longueur du cordon entre l'outil et la prise de courant est grande, plus le calibre du cordon doit être élevé. L'utilisation d'un cordon de rallonge incorrectement calibré entraîne une chute de voltage résultant en une perte de puissance qui risque de détériorer l'outil. Reportez-vous au tableau ci-contre pour déterminer le calibre minimum du cordon. Moins le calibre du fil est élevé, plus sa conductivité est bonne. Par exemple, un cordon de calibre 14 a une meilleure conductivité qu'un cordon de calibre 16. Lorsque vous utilisez plus d'une rallonge pour couvrir la distance, assurez-vous que chaque cordon possède le calibre minimum requis. Si vous utilisez un seul cordon pour brancher plusieurs outils, additionnez le chiffre d'intensité (ampères) inscrit sur la fiche signalétique de chaque outil pour obtenir le calibre minimal requis pour le cordon.

Directives pour l'emploi des cordons de rallonge

- Si vous utilisez une rallonge à l'extérieur, assurez-vous qu'elle est marquée des sigles « W-A » (« W » au Canada) indiquant qu'elle est adéquate pour usage extérieur.
- Assurez-vous que le cordon de rallonge est correctement câblé et en bonne condition. Remplacez tout cordon de rallonge détérioré ou faites-le remettre en état par une personne compétente avant de vous en servir.
- Tenez votre cordon de rallonge à l'écart des objets ranchants, des sources de grande chaleur et des endroits humides ou mouillés.

Calibres minimaux recommandés pour les cordons de rallonge*

Fiche signalétique Ampères	Longueur du cordon de rallonge (m)				
	7,6	15,2	22,9	30,5	45,7
0 - 2,0	18	18	18	18	16
2,1 - 3,4	18	18	18	16	14
3,5 - 5,0	18	18	16	14	12
5,1 - 7,0	18	16	14	12	12
7,1 - 12,0	16	14	12	10	--
12,1 - 16,0	14	12	10	--	--
16,1 - 20,0	12	10	--	--	--

* Basé sur sur une chute de voltage limite de 5 volts à 150% de l'intensité moyenne de courant.

LISEZ ATTENTIVEMENT CES INSTRUCTIONS ET CONSERVEZ-LES POUR LESCONSULTER AU BESOIN.

SPÉCIFICATIONS

No de Cat.....	MXF002
Type de batterie.....	MX FUEL™
Type de chargeur.....	MX FUEL™
Module/ID de FCC.....	BLE113/QOQBLE113
Tension d'alimentation nominale.....	120 V CA
Amperage d'entrée nominale.....	3,9 A
Tension de sortie nominale (Chargeur).....	72 V CD
Amperage de sortie nominale (Chargeur) ..	4,5 A CD
Sortie nominale (Prise)	
Watts Cretes	3 600 W
Watts Continus	1 800 W
Tension	120 V
Frequence nominale	60 HZ
Ambiance suggeree	
Temperature de charge	5°C to 40°C (40°F to 105°F)

PICTOGRAPHIE



Volts



Corriente continua



Corriente alterna



Ampères



Fréquence



Lire le manuel d'utilisation



⚠ AVERTISSEMENT

Risque de décharge électrique.



Témoin de surcharge



Indicateur de surchauffage



Borne de mise à la terre

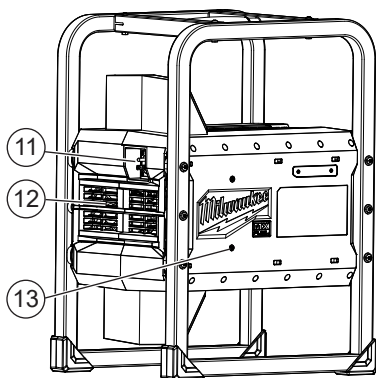
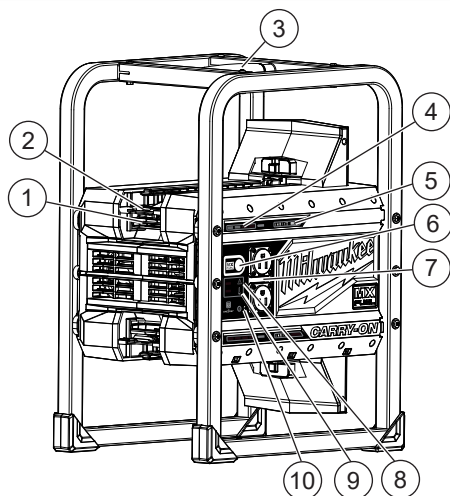


Rétro-alimentation protégée



Liste ETL d'Intertek pour le Canada et les États-Unis
Conforme à UL STD 1012
Certifié selon CSA STD C22.2 No 300

DESCRIPTION FONCTIONNELLE



1. Levier de loquet de batterie
2. Anneau de blocage de batterie
3. Poignée de transport
4. Témoin de charge
5. État de chargement de batterie/témoin de chargeur
6. Bouton d'armement
7. Prises CA
8. Témoin de surcharge
9. Indicateur de surchauffage
10. Entrée CA
11. Ventilateur
12. Montures de vis pour chargeur M12™/M18™
13. Broche de mise à terre

MONTAGE DE L'OUTIL

⚠ AVERTISSEMENT Ne recharger la batterie qu'avec le chargeur spécifié. Pour les instructions de charge spécifiques, lire le manuel d'utilisation fourni avec le chargeur et les batteries.

Insertion/Retrait de la batterie

Pour **retirer** la batterie, enfoncer les boutons de déverrouillage et la tirer hors de l'outil.

Pour **insérer** la batterie, la glisser dans le corps de l'outil. S'assurer qu'elle est fixée solidement.

FONCTIONNEMENT GÉNÉRAL

Capacité de la source d'alimentation

Veillez s'assurer que la source d'alimentation sert à fournir de la puissance continue (fonctionnelle) et maximale (démarrage) pour les éléments à énergiser en simultanément.

1. Sélectionner les éléments à énergiser en simultanément.
2. Sommer la quantité totale de puissance continue (fonctionnelle) de ces éléments. Ceci représente la quantité de puissance que la source d'alimentation doit générer afin de maintenir le fonctionnement des éléments. Consulter la table de référence de puissance.
3. Estimer combien de watts maximaux (démarrage) seront nécessaires. La puissance maximale est le sursaut brief de puissance qui est nécessaire pour mettre les outils ou les appareils électriques, tel qu'une scie circulaire, en marche. Étant donné qu'il y a certains moteurs qui ne démarrent pas dans le même temps, il sera possible d'estimer la quantité totale de watts crêtes en n'ajoutant que les éléments ayant la plus grande quantité de watts crêtes à la quantité de watts nominaux de l'étape 2.

Gestion de puissance

Afin de prolonger la vie utile de la source d'alimentation et les appareils y reliés, il est important de prendre soin lors de l'addition des charges électriques à la source d'alimentation. Rien ne doit être relié aux prises de la source d'alimentation avant de démarrer la machine. La façon correcte et sûre de gérer la puissance de la source d'alimentation est d'ajouter séquentiellement les charges, comme montré ci-dessous:

1. N'ayant rien relié à la source d'alimentation, démarrer la machine (voir « Armement de la machine »).
2. Brancher et activer la première charge, de préférence la charge la plus grande.
3. Laisser la puissance de sortie de la source d'alimentation se stabiliser (la source d'alimentation fonctionne bien et l'appareil y relié fonctionne correctement).
4. Brancher et activer la deuxième charge.
5. Encore une fois, laisser la source d'alimentation se stabiliser.

6. Ne jamais ajouter plus de charges que celles admises à raison de la capacité de la source d'alimentation. Toujours tenir compte de considérer les charges crêtes de la capacité de la source d'alimentation, tel comme décrit auparavant.

Emploi/ équipement	Watts au démarrage*	Watts au démarrage supplémentaires*
Site de travail		
Perceuse électrique - 10 mm (3/8")	600	1 000
Lampe de travail	1 000	1 000
Reciprocating Saw	960	1 920
Scie circulaire - 184 mm (7-1/4")	1 400	2 300
Scie à onglets - 254 mm (10")	1 800	2 800
Compresseur d'air - 1/4 HP	970	1 600
Pulvérisateur sans air - 1/3 HP	600	1 200
Radio	50	50
Chargeur standard M18™/M12™ (48-59-1812)	60	60
Chargeur rapide M18™/M12™ (48-59-1808)	75(M12™) 120 (M18™)	75(M12™) 120 (M18™)
Mode de vie		
Four micro onde	1 000	1 000
Télévision	50-300	50-300
Récepteur de signaux de satellite	250	250
Ventilateur portatif	40	120
Chaufferette	1 300	1 300
Lampes en guirlande	50-150	50-150
Ordinateur portatif	50-150	50-150
Tablette	15	15
Téléphone cellulaire	5	5
*Les valeurs indiquées en watt sont approximées. Vérifier l'outil ou le produit pour en savoir plus sur la puissance maximale réelle.		

Armement de la machine

Il faut armer les machines MX FUEL™ avant de les mettre à l'emploi. Les fonctions ne seront pas utilisables, même si le bloc-piles a été inséré, jusqu'à ce que la machine soit armée.

Pour armer la machine:

1. Insérer le bloc-piles.
2. Appuyez sur le bouton Armer. L'icône MX FUEL™ s'allumera et les voyants à DEL fonctionneront maintenant.
3. Appuyer et tenir enfoncée le bouton d'armement durant 2 secondes pour désarmer (éteindre) la machine. L'icône MX FUEL™ s'éteint et les LED ne fonctionnent pas.

REMARQUE: Le ventilateur interne restera toujours activé si peu de temps après avoir éteint la machine.

Voyants à DEL intégrés d'autonomie de charge et sonnerie d'alarme

Les voyants à DEL intégrés d'autonomie de charge afficheront l'autonomie de la pile en temps réel pour le bloc-piles MX correspondant. Lorsque la machine détecte une situation de charge faible, une batterie morte, une situation de surcharge ou bien, une situation de température extrême, l'utilisateur entendra un avertissement sonore. Vérifier la cause fondamentale de la sonnerie pour continuer l'emploi.

Situations de surcharge et de température extrême

Situations de surcharge et de température extrême Si une situation de surcharge ou de température extrême se passe, la machine émettra un son particulier et s'allumera l'icône correspondante. Entreprendre l'action correspondante, telle que couper ou réduire la charge de la machine ou bien, laisser la machine reposer (refroidir) avant de continuer.

Utilisation par temps froid

Les bloc-piles au lithium-ion de MILWAUKEE ont été conçus pour fonctionner à des températures inférieures au point de congélation. La machine offre une puissance utile de 3 600 W/1 800 W à moins de -7° C (20° F). La machine offre une puissance maximale de 1 000 W à une plage de température de -7° C à -20° C (20° F à -4° F). Si le limite de 1 000 W se dépasse, la sonnerie s'activera et 1 voyant à DEL du témoin de charge clignotera. Pour réinitialiser la machine et le bloc-piles, veuillez débrancher la machine de la source d'alimentation CA, enlever le bloc-piles et le remettre en place.

ONE-KEY™

Pour en apprendre plus long sur la fonctionnalité ONE-KEY™ de cet outil, visitez le milwaukeeool.com/One-Key. Pour télécharger l'application ONE-KEY™, visitez l'App Store d'Apple ou Google Play à l'aide de votre appareil intelligent.

Indicateur ONE-KEY™	
Bleu uni	Le mode sans fil est engagé et prêt pour le configurer à l'aide de l'appli ONE-KEY™.
Bleu clignotant	L'outil établit une communication active avec l'appli ONE-KEY™.
Rouge clignotant	L'outil a un blocage sécuritaire et ne pourra être débloqué que par le propriétaire à l'aide de l'appli ONE-KEY™.

FONCTIONNEMENT DU CHARGEUR

⚠ AVERTISSEMENT Charger uniquement les batteries Lithium-Ion MILWAUKEE MX™ dans l'ensemble chargeur Lithium-Ion MILWAUKEE MX™. Les batteries d'autres types peuvent causer des dommages et des blessures.

Quand charger la batterie

Retirer la batterie de l'outil pour la charge quand cela est pratique pour l'utilisateur et le travail. Les batteries au lithium-ion MILWAUKEE ne développent pas de «mémoire» lorsqu'elles sont chargées uniquement après une décharge partielle. Il n'est pas nécessaire de décharger la batterie avant de la mettre sur le chargeur.

- Utiliser l'indicateur de niveau d'énergie (sur l'outil ou la batterie) pour déterminer quand charger la batterie lithium-ion MILWAUKEE.
- Il est possible de compléter la charge de la batterie avant de commencer un important travail ou une longue journée d'utilisation.
- Il n'est nécessaire de charger la batterie au lithium-ion MILWAUKEE que lorsqu'elle a atteint la fin de sa charge. Pour signaler la fin de la charge, l'alimentation vers l'outil baisse rapidement, laissant à l'utilisateur juste assez de puissance pour terminer une coupe, percer un trou ou enfoncer un dispositif de fixation. Charger la batterie selon le besoin.

Comment charger la batterie

Brancher la lampe dans une prise de 120 V. Les blocs-piles ne se chargeront pas si le chargeur de la lampe sur pied n'est pas branché. Aligner le bloc-piles avec le compartiment en le faisant glisser dans le chargeur.

- Lorsqu'un bloc-piles est inséré dans le chargeur, les voyants à DEL indiquent ce qui suit:



Rouge fixe : Charge



Vert fixe : Chargement terminé



Rouge clignotant : Pile trop chaude/froide
Le chargement commence lorsque la pile atteint la bonne température de charge



Rouge/Vert clignotant : bloc-piles endommagé ou défectueux

- Le prochain bloc-piles inséré dans le chargeur commencera sa recharge lorsque le bloc-piles précédent est entièrement chargé.
- Selon le type de bloc-piles et la température du chargeur, un bloc-piles complètement déchargé dont la température interne soit normale sera chargé entre 45 ou 90 minutes.
- Les batteries qui ont été assez mises sous tension pourront prendre alors plus de temps pour être complètement chargées.
- Les témoins de l'indicateur de charge s'allumeront pendant le chargement du bloc-piles pour en indiquer la progression. L'indicateur de charge s'éteint une fois le chargement terminé.
- Une fois la charge terminée, le témoin vert continu s'allume.
- Le chargeur maintient la batterie complètement chargée si elle est laissée dessus.

- Quand le témoin lumineux est voyant rouge clignotant doucement, la charge commence une fois le premier bloc entièrement chargé.
- Si le voyant clignote rouge et vert, vérifier que la batterie est bien installée dans la baie. Retirer la batterie puis la réinsérer. Si le voyant continue à clignoter rouge et vert, c'est que la batterie peut être extrêmement chaude ou froide, ou mouillée. Laisser la batterie refroidir, se chauffer ou sécher puis la réinsérer. Si le problème persiste, contacter le service MILWAUKEE.

Chargement d'une batterie chaude ou froide

Le témoin clignotant rouge rapide du chargeur indique que la température de la bloc-piles ou chargeur est hors de la plage de charge. Une fois que la batterie ou chargeur est dans la plage acceptable, une charge normale commence et le témoin rouge s'allume en continu. Des batteries froides ou chaudes peuvent nécessiter plus de temps pour se recharger.

État de charge au Lithium-ion

Température du bloc de piles	Témoin rouge de l'indicateur du chargeur	État de charge
Trop chaude	Clignotant	Pas de charge
Température correcte	Continu	Charge normale
Trop froide	Clignotant	Pas de charge

ENTRETIEN

⚠ AVERTISSEMENT Pour minimiser les risques de blessures corporelles, débranchez le chargeur et retirez la batterie du chargeur ou de l'outil avant d'y effectuer des travaux d'entretien. Ne démontez jamais l'outil, la batterie ou le chargeur. Pour toute réparation, consultez un centre de service MILWAUKEE accrédité.

Pour réduire le risque d'incendie, de blessures corporelles et de dommages causés par un court-circuit, ne jamais immerger l'outil, le bloc-piles ou le chargeur dans un liquide ou laisser couler un fluide à l'intérieur de celui-ci. Les fluides corrosifs ou conducteurs, tels que l'eau de mer, certains produits chimiques industriels, les produits de blanchiment ou de blanchiment, etc., peuvent provoquer un court-circuit.

Maintenir l'alimentation

Gardez votre alimentation en bon état en adoptant un programme d'entretien régulier. Si le bloc d'alimentation ne fonctionne pas correctement, renvoyez-le à un centre de service MILWAUKEE pour réparation.

ONE-KEY™

⚠ AVERTISSEMENT Risque de brûlure chimique.

Ce dispositif contient une pile bouton au lithium. Une pile neuve ou usée peut causer des brûlures internes graves entraînant la mort en seulement 2 heures si avalée ou entrée dans le corps. Toujours fixer le couvercle du compartiment des piles. Si le couvercle ne se ferme pas bien, arrêter d'utiliser le dispositif, retirer les piles et les garder hors de la portée des enfants. Si vous soupçonnez que les piles ont été avalées ou entrées dans le corps, consultez immédiatement un médecin.



Pile interne

Une pile interne est utilisée pour faciliter la fonctionnalité complète ONE-KEY™.

Pour remplacer la pile:

1. Retirer le bloc-piles.
2. Retirer la vis et ouvrir la porte du compartiment de la pile.
3. Retirer le panneau de la pile et enlever la pile usagée. Tenez hors de la portée des enfants et éliminez-la adéquatement.
4. Insérer la nouvelle pile (3V CR2032), avec le côté positif vers le haut.
5. Fermer la porte du compartiment de la pile et serrer la vis fermement.

⚠ AVERTISSEMENT Pour minimiser les risques de blessures ou de dommages à l'outil, n'immergez jamais l'outil, la batterie ou le chargeur et ne laissez pas de liquide s'y infiltrer.

Nettoyage

Débarassez les événements des débris et de la poussière. Gardez les poignées propres, à sec et exemptes d'huile ou de graisse. Le nettoyage doit se faire avec un linge humide et un savon doux. Certains nettoyants tels l'essence, la térébenthine, les diluants à laque ou à peinture, les solvants chlorés, l'ammoniaque et les détergents d'usage domestique qui en contiennent pourraient détériorer le plastique et l'isolation des pièces. Ne laissez jamais de solvants inflammables ou combustibles auprès des outils.

Nettoyage du bloc-piles et le compartiment de piles

Maintenir les connexions et les surfaces du bloc-piles qui se trouvent entre l'outil et la pile exempt de débris ainsi que de matériaux.

Ne pas maintenir les surfaces propres pourra entraîner le désalignement de la connexion du bloc-piles ou bien, endommager la connexion de la pile tout entière.

Réparations

Pour les réparations, retournez outil, batterie et chargeur en entier au centre-service autorisé le plus près.

ACCESSOIRES

⚠ AVERTISSEMENT L'utilisation d'autres accessoires que ceux qui sont spécifiquement recommandés pour cet outil peut comporter des risques.

Pour une liste complète des accessoires, visiter le site internet www.milwaukeetool.com ou contactez un distributeur.

COMMUNICATION SANS FIL

Pour les produits comportant des fonctions de communication sans fil, ONE-KEY™ y compris :

Conformément à la part 15.21 du Règlement de la FCC, ne pas modifier ce produit-ci. Une telle modification pourra annuler votre autorisation à utiliser le produit. Cet appareil est conforme à la part 15 du Règlement de la FCC et les normes RSS d'exemption de licence de l'ISED-Canada. Son fonctionnement est soumis aux conditions suivantes : 1) Cet appareil ne doit produire aucun brouillage préjudiciable ; et 2) cet appareil doit fonctionner en dépit de tout brouillage capté, y compris le brouillage pouvant mener à un fonctionnement non désiré.

SERVICE - CANADA

Milwaukee Tool (Canada) Ltd

1.800.268.4015

Monday-Friday, 7:00 AM - 4:30 PM CST

www.milwaukeetool.ca

GARANTIE LIMITÉE - AUX ÉTATS-UNIS ET AU CANADA

Chaque produit, bloc-pile, et chargeur MX FUEL™ de MILWAUKEE sont garantis à l'acheteur d'origine d'être exempts de vice du matériel et de fabrication. Sous réserve de certaines exceptions, MILWAUKEE réparera ou remplacera un produit, bloc-pile, et chargeur MX FUEL™ qui, après examen par MILWAUKEE, s'est affectée d'un vice de matériel ou de main d'œuvre pendant une période de deux (2) ans après la date d'achat. Retourner le produit, bloc-pile, et chargeur MX FUEL™ à un centre de réparations en usine MILWAUKEE ou à un poste d'entretien agréé MILWAUKEE, en port prépayé et assuré. Pour en savoir plus du processus d'expédition adéquat de blocs-piles, veuillez composer le 1.800.SAWDUST (1.800.729.3878) ou visiter le site www.milwaukeetool.com. Une copie de la preuve d'achat doit être présentée lors du retour du produit. Cette garantie ne couvre pas les dommages que MILWAUKEE détermine d'être causés par des réparations ou des tentatives de réparation par quiconque autre que le personnel agréé par MILWAUKEE, des utilisations incorrectes, des altérations, des utilisations abusives, une usure normale, une carence d'entretien ou les accidents.

Usure normale : Plusieurs produits MX FUEL™ ont besoin de remplacer leurs pièces à périodicité afin d'achever leur performance maximale. Cette garantie ne couvre pas les réparations lorsque l'utilisation commune ait épuisé sa vie utile, y compris, sans s'y limiter, les courroies d'entraînement et d'assistance, les poulies, les flasques de disques, les joints à vide, les poignées sans outil, les épingles de chasse, les patins, les accouplements d'entraînement, les gaines en caoutchouc, l'entraînement automatique, les blocs de stabilisation, les roues, les porte-roues, les cordons, les joints toriques, les embouts, les lames d'entraînement, les pistons, les perceurs, les poussoirs, les porte-outils et les rondelles de protection de butoir.

L'enregistrement de la garantie n'est pas nécessaire pour bénéficier de la garantie en vigueur sur le produit, bloc-pile, et chargeur MX FUEL™. L'ACCEPTATION DES RECOURS EXCLUSIFS DE RÉPARATION ET DE REMPLACEMENT DÉCRITS PAR LA PRÉSENTE EST UNE CONDITION DU CONTRAT D'ACHAT DE TOUT PRODUIT MILWAUKEE. SI VOUS N'ACCEPTÉZ PAS CETTE CONDITION, VOUS NE DEVEZ PAS ACHETER LE PRODUIT. EN AUCUN CAS MILWAUKEE NE SAURAIT ÊTRE RESPONSABLE DE TOUT DOMMAGE ACCESSOIRE, SPÉCIAL OU INDIRECT, DE DOMMAGES-INTÉRÊTS PUNITIFS OU DE TOUTE DÉPENSE, D'HONORAIRES D'AVOCATS, DE FRAIS, DE PERTE OU DE DÉLAIS ACCESSOIRES À TOUT DOMMAGE, DÉFAILLANCE OU DÉFAUT DE TOUT PRODUIT, Y COMPRIS NOTAMMENT LES PERTES DE PROFIT, CERTAINS ÉTATS ET PROVINCES NE PERMETTANT L'EXCLUSION OU LA LIMITATION DES DOMMAGES DIRECTS OU INDIRECTS, LES RESTRICTIONS CI-DESSOUS PEUVENT NE PAS ÊTRE APPLICABLES. CETTE GARANTIE EST EXCLUSIVE ET REMPLACE TOUTE AUTRE GARANTIE EXPRESSE, QU'ELLE SOIT VERBALE OU ÉCRITE, DANS LA MESURE PERMISE PAR LA LOI, MILWAUKEE RENONCE À TOUTE GARANTIE IMPLICITE, Y COMPRIS, SANS S'Y LIMITER, TOUTE GARANTIE IMPLICITE DE QUALITÉ MARCHANDE OU D'ADAPTATION À UNE UTILISATION OU À UNE FIN PARTICULIÈRE, DANS LA MESURE OU UNE TELLE STIPULATION D'EXONÉRATION N'EST PAS PERMISE PAR LA LOI, LA DURÉE DE CES GARANTIES IMPLICITES EST LIMITÉE À LA PÉRIODE APPLICABLE DE LA GARANTIE EXPRESSE, TEL QUE CELA EST DÉCRIT PRÉCÉDEMMENT. CERTAINS ÉTATS ET PROVINCES NE PERMETTANT PAS DE LIMITATION DE DURÉE DES GARANTIES IMPLICITES, LES RESTRICTIONS CI-DESSUS PEUVENT NE PAS ÊTRE APPLICABLES. LA PRÉSENTE CONFÈRE À L'UTILISATEUR DES DROITS LÉGAUX PARTICULIERS ; IL BÉNÉFICIE ÉGALEMENT D'AUTRES DROITS QUI VARIENT D'UN ÉTAT OU PROVINCE À L'AUTRE.

Cette garantie s'applique aux produits vendus aux États-Unis et au Canada uniquement.

Veuillez consulter la rubrique « Centre SAV Milwaukee », dans la section « Pièces et service » du site web de MILWAUKEE, à l'adresse <http://www.milwaukeetool.com> ou composer le 1.800.SAWDUST (1.800.729.3878) afin de trouver le centre de service de votre région le plus proche pour l'entretien, sous garantie ou non, sur un produit, bloc-pile, et chargeur MX FUEL™.

INSTRUCCIONES DE SEGURIDAD IMPORTANTES

⚠️ ADVERTENCIA Lea todas las advertencias y todas las instrucciones de seguridad. Hacer caso omiso de las advertencias e instrucciones podría provocar una descarga eléctrica, incendio o lesiones graves. **Guarde todas las advertencias e instrucciones para futura consulta.**

SEGURIDAD EN EL ÁREA DE TRABAJO

• **Para reducir el riesgo de lesiones, se necesita una vigilancia de cerca** al usar un aparato cerca de los niños.

SEGURIDAD ELÉCTRICA

- **Los enchufes del cable de corriente deben coincidir con el tomacorriente.** Nunca modifique el enchufe de ninguna manera. No utilice adaptadores de enchufe con conectores múltiples aterrizados de las herramientas eléctricas. Los enchufes y tomacorrientes correspondientes sin modificar reducirán el riesgo de descarga eléctrica.
- **Evite el contacto corporal con superficies aterrizadas, tales como tuberías, radiadores, estufas y refrigeradores.** Existe un riesgo mayor de descarga eléctrica si su cuerpo está aterrizado.
- **Para reducir el riesgo de una descarga eléctrica, no exponga el equipo al agua u otro líquido.** No coloque o guarde el equipo donde pueda caer o ser jalado al interior de una tina o lavabo.
- **No maltrate el cable.** Nunca utilice el cable para cargar, jalar o desconectar la herramienta eléctrica. Mantenga el cable alejado del calor, grasa, bordes afilados o partes móviles.
- **Acomode los cables cuidadosamente para evitar ambientes peligrosos.** Tropezarse o enredarse en los cables puede provocar lesiones y dañar el producto. No permita que los cables pasen por charcos o atraviesen el piso mojado.
- **No desconecte jalando del cable de corriente.** Para desconectar, sujete del enchufe y no del cable.
- **Desconecte el cable del tomacorriente cuando no esté en uso o antes de realizar el servicio o limpieza.**
- **Siempre use un cable de extensión apto para reducir el riesgo de descarga eléctrica.**
- **Si es inevitable utilizar un equipo eléctrico en un lugar húmedo, utilice un alimentador de corriente protegido con un alimentador protegido con un interruptor de circuito con conexión a tierra (GFCI).** El uso de un GFCI reduce el riesgo de descarga eléctrica.

SEGURIDAD PERSONAL

- **No estire el cuerpo demasiado.** Mantenga una posición segura y equilibrada adecuada en todo momento. Esto le permitirá un mayor control de la fuente de alimentación en situaciones inesperadas.
- **No utilice la herramienta en una escalera o soporte inestable.** Un apoyo estable en una superficie sólida permite tener un mejor control de la fuente de alimentación en situaciones inesperadas.

USO Y CUIDADO DE LA BATERÍA

- **Recargue únicamente con el cargador especificado por el fabricante.** Un cargador que es adecuado para un tipo de batería puede crear un riesgo de incendio si se utiliza con otra batería.
- **Utilice las fuentes de alimentación únicamente con baterías específicamente diseñadas.** El uso de cualquier otra batería puede producir un riesgo de lesiones e incendio.
- **No provoque un cortocircuito.** Una batería que haya sufrido un cortocircuito puede provocar un incendio, lesión personal y daños al producto. Se provocará un cortocircuito en la batería si un objeto metálico hace conexión con los contactos positivos y negativos en la batería. No coloque una batería cerca de algo que pueda provocar un cortocircuito, como monedas, llaves o clavos en su bolsillo.
- **No permita que líquidos fluyan dentro de la batería.** Los fluidos corrosivos o conductivos, como el agua de mar, ciertos químicos industriales y el cloro o productos que contienen cloro, etc., pueden provocar un corto circuito.
- **Bajo condiciones de maltrato, el líquido puede ser expulsado de la batería, evite el contacto. Si ocurre un contacto accidental, enjuague con agua. Si el líquido entra a los ojos, busque también ayuda médica.** El líquido expulsado de la batería puede causar irritación o quemaduras.
- **No use una batería o equipo que se haya dañado o modificado.** Las baterías dañadas o modificadas pueden mostrar un comportamiento impredecible, causando incendios, explosión o riesgo de lesión.
- **No exponga una batería o equipo al fuego o a temperatura excesiva.** La exposición a fuego o temperatura a más de 130 °C (265 °F) puede causar explosiones.
- **Siga todas las instrucciones de carga y no cargue la batería o equipo fuera del rango de temperatura especificado en las instrucciones.** La carga incorrecta o a temperaturas fuera del rango especificado puede dañar la batería y aumentar el riesgo de incendio.

USO Y CUIDADO DEL CARGADOR

- **Precaución - para reducir el riesgo de lesiones, cargue las baterías de litio-ion de MILWAUKEE únicamente en el cargador de litio-ion de MILWAUKEE.** Otros tipos de baterías pueden explotar, causando lesiones personales o daños. No conecte una batería a un enchufe de fuente de poder ni a un encendedor de cigarrillos para automóvil. Las baterías se dañarán o serán inservibles permanentemente.
- **Cargue únicamente baterías de litio-ion de MILWAUKEE MX™.** Otros tipos de baterías pueden explotar, causando lesiones personales o daños.
- **Evite los entornos peligrosos.** No cargue el paquete de baterías en la lluvia, nieve o lugares húmedos o mojados. No use el paquete de baterías ni el cargador en la presencia de atmósferas explosivas (gases, polvo o materiales inflamables) puesto que pueden generar chispas al insertar o quitar el paquete de baterías, y posiblemente provocar un incendio.

- **Cargue en un área con buena ventilación.** No obstruya las ventilas del cargador. Manténgalas sin obstrucciones para permitir una ventilación adecuada. No permita que haya humo o llamas abiertas cerca del paquete de baterías que se esté cargando. Los gases ventilados pueden explotar.
- **Debe dar mantenimiento al cable del cargador.** Al desconectar el cargador, jale del enchufe en vez del cable para reducir el riesgo de dañar cualquiera de ellos. Nunca transporte el cargador sujetándolo del cable. Proteja el cable del calor, aceite y bordes filosos. Asegúrese de no pisar, tropezar o someter el cable a daños o torceduras. No use el cargador con el cable o enchufe dañado. Pida que se reemplace inmediatamente un cargador dañado.
- **Use únicamente los accesorios recomendados.** El uso de un accesorio no recomendado o vendido por el fabricante del cargador de baterías o paquete de baterías podría resultar en un riesgo de incendio, descarga eléctrica o lesiones personales.
- **Desconecte el cargador** cuando no esté en uso. Retire los paquetes de baterías de los cargadores desconectados.
- **Para reducir el riesgo de una descarga eléctrica,** siempre desconecte el cargador antes de limpiarlo o dar mantenimiento. No permita que líquidos fluyan dentro del enchufe. Use un interruptor de circuito con conexión a tierra (GFCI) para reducir los riesgos de una descarga eléctrica.
- **Almacene su batería y cargador** en un lugar fresco y seco. No almacene el paquete de baterías donde la temperatura pudiera exceder 120 °F (50 °C) tal como en la luz solar directa, un vehículo o edificio de metal durante el verano.

SERVICIO

- **Lleve su fuente de alimentación a servicio con un técnico calificado que use únicamente piezas de reemplazo idénticas.** Esto asegurará que se mantenga la seguridad de la fuente de alimentación.
- **Nunca dé servicio a baterías dañadas.** Únicamente el fabricante o proveedores de servicio autorizados deben dar servicio a las baterías.

REGLAS DE SEGURIDAD ESPECÍFICAS

- **Este equipo tiene partes que producen arcos eléctricos o chispas que no deben exponerse a vapores inflamables.** Coloque el equipo al menos a 457 mm (18") por encima del piso cuando se use en instalaciones de reparación.
- **No se exponga a la lluvia.**
- **Para usarse en el interior o temporalmente en el exterior.** Opere con cuidado razonable cuando lo utilice en condiciones húmedas.
- **Conecte únicamente a un tomacorriente debidamente conectado a tierra.**
- **No lo utilice si el cable o las baterías están dañadas de algún modo.**
- **Use el cable de extensión correcto.** Mantenga los cables secos y alejados del piso; utilice un circuito protegido por un interruptor de circuito con conexión a tierra.
- **Riesgo de quemadura química.** Mantenga las baterías de botón fuera de alcance de los niños.
- **Este dispositivo contiene una batería de botón/ tipo moneda de litio. Una batería nueva o usada puede causar quemaduras internas graves y causar la muerte en solo 2 horas si se ingiere o entra al cuerpo. Siempre asegure la cubierta de la batería. Si no se cierra con firmeza, deje de usar el dispositivo, retire las baterías y manténgalo fuera del alcance de los niños. Si cree que las baterías pudieran ser ingeridas o entraron al cuerpo, busque atención médica de inmediato.**
- **Almacénese en interiores.**
- **No opere varias fuentes de alimentación en paralelo.**
- **Operar esta fuente de alimentación a una distancia menor a 1 m (3') desde un edificio u otra obstrucción puede provocar el sobrecalentamiento y dañar la fuente de alimentación. Para permitir un enfriamiento adecuado, permita que haya un espacio vacío de 1 m (3') por encima y alrededor de la fuente de alimentación.**
- **No conecte a un sistema eléctrico de un edificio a menos que se hayan instalado correctamente la fuente de alimentación e interruptor de transferencia, y un electricista calificado verificó el tomacorriente. La conexión debe aislar la alimentación del generador de la fuente eléctrica y debe cumplir con todas las leyes y códigos de electricidad correspondientes.**
- **La terminal de conexión de tierra está conectada a las terminales de tierra de cada receptáculo. Antes de utilizar la terminal de conexión de tierra, consulte con un electricista calificado, inspector eléctrico o con su agencia local que tenga jurisdicción en códigos u ordenamientos locales que correspondan al uso indicado del generador.**
- **La fuente de alimentación (bobinado del estator) se aísla del marco y del pin de tierra del receptáculo CA.**
- **Los dispositivos eléctricos que requieren una conexión del pin del receptáculo conectado a tierra no funcionarán si el pin no es funcional.**
- **No exceda la potencia nominal de la fuente de alimentación. Tenga en cuenta la carga eléctrica individual y acumulativa de todos los aditamentos. Exceder la capacidad de carga de la fuente de alimentación podría provocar un sobrecalentamiento, incendio, descarga eléctrica o lesión.**
- **No sobrecargue la capacidad de la fuente de alimentación. Superar la capacidad de watts/ amperes de la fuente de alimentación puede dañar la fuente de alimentación o los dispositivos eléctricos conectados a ella.**
- **Los aditamentos podrían requerir más consumos de energía de lo que esta fuente de alimentación puede proveer. Revise el manual de los aditamentos para evitar que se dañen o por riesgo de lesiones personales.**
- **Siempre siga todas las reglas de seguridad recomendadas por el fabricante de aditamentos.**
- **No utilice esta fuente de alimentación para proveer energía para equipo médico de emergencia o dispositivos de soporte vital.**
- **Nunca deje la fuente de alimentación sin supervisión mientras está en uso.**

• **Conozca su fuente de alimentación. Lea con atención el manual del operador.** Aprenda sus aplicaciones y limitaciones, además de los posibles riesgos específicos relacionados con este producto. No altere ni modifique la fuente de alimentación del diseño o la función original. El uso indebido y manejo inadecuado pueden provocar lesiones.

• **Siempre use el sentido común y tenga precaución al usar las herramientas.** No es posible anticipar cada situación que podría causar un peligro. No use esta herramienta si no comprende estas instrucciones operativas o si siente que el trabajo supera su capacidad; contacte a Milwaukee Tool o a un profesional capacitado para obtener información adicional o capacitación.

• **Conserve las etiquetas y placas nominales.** Incluyen información importante. Si son ilegibles o no están presentes, comuníquese con un centro de servicio MILWAUKEE para obtener un reemplazo gratuito.

INSTALACIÓN

TIERRA

⚠PELIGRO Puede haber riesgo de descarga eléctrica si se conecta el cable de conexión de puesta a tierra incorrectamente. Consulte con un electricista certificado si tiene dudas respecto a la conexión de puesta a tierra del tomacorriente. No modifique el enchufe que se proporciona con la herramienta. Nunca retire la clavija de conexión de puesta a tierra del enchufe. No use la herramienta si el cable o el enchufe está dañado. Si está dañado antes de usarlo, llévelo a un centro de servicio MILWAUKEE para que lo reparen. Si el enchufe no se acopla al tomacorriente, haga que un electricista certificado instale un toma-corriente adecuado.

Herramientas con conexión a tierra (Enchufes de tres clavijas)

Las herramientas marcadas con la frase "Se requiere conexión de puesta a tierra" tienen un cable de tres hilo y enchufes de conexión de puesta a tierra de tres clavijas. El enchufe debe conectarse a un tomacorriente debidamente conectado a tierra (véase la Figura A). Si la herramienta se averiara o no funcionara correctamente, la conexión de puesta a tierra proporciona un trayecto de baja resistencia para desviar la corriente eléctrica de la trayectoria del usuario, reduciendo de este modo el riesgo de descarga eléctrica.

La clavija de conexión de puesta a tierra en el enchufe está conectada al sistema de conexión de puesta a tierra de la herramienta a través del hilo verde dentro del cable. El hilo verde debe ser el único hilo conectado al sistema de conexión de puesta a tierra de la herramienta y nunca se debe unir a una terminal energizada.

Su herramienta debe estar enchufada en un tomacorriente apropiado, correctamente instalado y conectado a tierra según todos los códigos y reglamentos. El enchufe y el tomacorriente deben asemejarse a los de la Figura A.

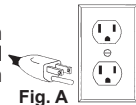


Fig. A

EXTENSIONES ELECTRICAS

Las herramientas que deben conectarse a tierra cuentan con clavijas de tres patas y requieren que las extensiones que se utilicen con ellas sean también de tres cables. Las herramientas con doble aislamiento y clavijas de dos patas pueden utilizarse indistintamente con extensiones de dos a tres cables. El calibre de la extensión depende de la distancia que exista entre la toma de la corriente y el sitio donde se utilice la herramienta. El uso de extensiones inadecuadas puede causar serias caídas en el voltaje, resultando en pérdida de potencia y posible daño a la herramienta. La tabla que aquí se ilustra sirve de guía para la adecuada selección de la extensión.

Mientras menor sea el número del calibre del cable, mayor será la capacidad del mismo. Por ejemplo, un cable calibre 14 puede transportar una corriente mayor que un cable calibre 16. Cuando use mas de una extensión para lograr el largo deseado, asegúrese que cada una tenga al menos, el mínimo tamaño de cable requerido. Si está usando un cable de extensión para mas de una herramienta, sume los amperes de las varias placas y use la suma para determinar el tamaño mínimo del cable de extensión.

Guías para el uso de cables de extensión

- Si está usando un cable de extensión en sitios al aire libre, asegúrese que está marcado con el sufijo "W-A" ("W" en Canadá) el cual indica que puede ser usado al aire libre.
- Asegúrese que su cable de extensión está correctamente cableado y en buenas condiciones eléctricas. Cambie siempre una extensión dañada o hágala reparar por una persona calificada antes de volver a usarla.
- Proteja su extensión eléctrica de objetos cortantes, calor excesivo o areas mojadas.

Calibre mínimo recomendado para cables de extensiones eléctricas*

Amperios (En la placa)	Largo de cable de Extensión en (m)				
	7,6	15,2	22,9	30,5	45,7
0 - 2,0	18	18	18	18	16
2,1 - 3,4	18	18	18	16	14
3,5 - 5,0	18	18	16	14	12
5,1 - 7,0	18	16	14	12	12
7,1 - 12,0	16	14	12	10	--
12,1 - 16,0	14	12	10	--	--
16,1 - 20,0	12	10	--	--	--

* Basado en limitar la caída en el voltaje a 5 volts al 150% de los amperios.

LEA Y GUARDE TODAS LAS INSTRUCCIONES PARA FUTURAS REFERENCIAS.

ESPECIFICACIONES

Cat. No.....	MXF002
Tipo de batería.....	MX FUEL™
Tipo de cargador.....	MX FUEL™
Módulo/ID de FCC.....	BLE113/QOQBLE113
Voltaje nominal de entrada.....	120 V AC
Amperios nominales de entrada.....	3.9 A
Voltaje nominal de salida (cargador).....	72 V DC
Amperios nominales de salida (cargador).....	4.5 A DC
Salida nominal (receptáculo)	
Vatios máximos.....	3 600W
Vatios continuos.....	1 800W
Voltaje.....	120 V
Frecuencia nominal.....	60 Hz
Temperatura ambiente recomendada para operar.....	5°C to 40°C (40°F to 105°F)

SIMBOLOGÍA

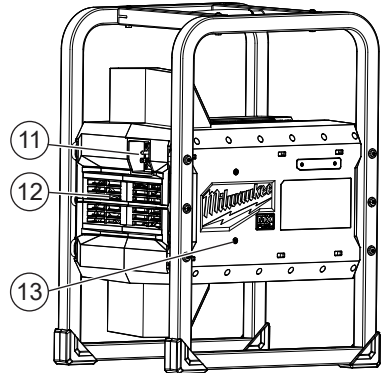
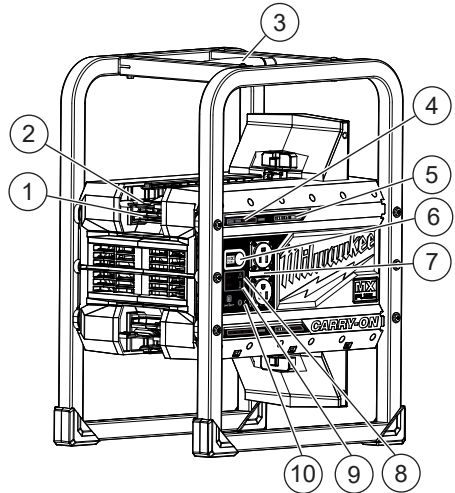
-  Volts
-  Corriente directa
-  Corriente alterna
-  Amperios
-  Hertzios
-  Lea el manual del operator
-  **▲ADVERTENCIA**
Riesgo de choque eléctrico
-  Indicador de sobrecarga
-  Indicador de sobretemperatura
-  Terminal de puesta a tierra

BFP Retroalimentación protegido



Listado ETL de Intertek para Canadá y EE. UU. Cumple con UL STD 1012 Certificado para CSA STD C22.2 No. 300

DESCRIPCION FUNCIONAL



1. Palanca del pestillo de la batería
2. Anillo de bloqueo de batería
3. Asa de transporte
4. Indicador de la carga
5. Estado/indicador de carga de la batería
6. Botón de armado
7. Tomacorrientes para CA
8. Indicador de sobrecarga
9. Indicador de sobrecalentamiento
10. Entrada CA
11. Ventilador
12. Montaje para cargador que se atornilla M12™/M18™
13. Pin de tierra

ENSAMBLAJE

⚠ ADVERTENCIA Recargue la batería sólo con el cargador especificado para ella. Para instrucciones específicas sobre cómo cargar, lea el manual del operador suministrado con su cargador y la batería.

Retirar/insertar la batería

Para **retirar** la batería, oprima el pestillo de la batería hacia un lado y apriete la palanca del pestillo de la batería. Jale la batería en dirección contraria a la herramienta.

Para **introducir** la batería, deslícela en el cuerpo de la herramienta. Asegúrese de que quede bien firme en su posición.

OPERACIÓN GENERAL

Capacidad de fuente de alimentación

Asegúrese de que la fuente de alimentación puede alimentar suficientes vatios continuos (en operación) y vatios de sobretensión transitoria (inicio) para los artículos que se están alimentando al mismo tiempo.

1. Seleccione los artículos que se alimentarán al mismo tiempo.
2. Sume el total de los vatios continuos (en operación) de estos artículos. Esta es la cantidad de alimentación que la fuente de alimentación debe producir para mantener los artículos en operación. Consulte la tabla de referencia de vataje.
3. Calcule cuántos vatios de sobretensión transitoria (inicio) serán necesarios. El vataje de sobretensión transitoria es el primer pequeño escape de alimentación necesario para arrancar herramientas o equipo eléctricos accionados con motor, como una sierra circular. Dado que no todos los motores arrancan al mismo tiempo, los vatios de sobretensión transitoria totales pueden calcularse agregando únicamente los artículos con los vatios de sobretensión transitoria adicionales más altos a los vatios nominales totales del paso 2.

Manejo de potencia

A fin de prolongar la vida de la fuente de alimentación y los dispositivos accesorios, es importante tener en cuenta cuándo agregar las cargas eléctricas a la fuente de alimentación. No debe haber nada conectado a los tomacorrientes de la fuente de alimentación antes de encender la máquina. La manera correcta y segura de manejar la potencia de la fuente de alimentación es agregar cargas secuencialmente, como a continuación:

1. Encienda la máquina con nada conectado a la fuente de alimentación (consulte "Armar la máquina").
2. Enchufe y encienda la primera carga, preferiblemente la carga más grande.
3. Permita que se establezca la salida de la fuente de alimentación (la fuente de alimentación opera uniformemente) y el dispositivo accesorio opera correctamente).
4. Enchufe y encienda la siguiente carga.
5. De nuevo, permita que se establezca la salida de la fuente de alimentación.

6. Nunca agregue más cargas que la capacidad de la fuente de alimentación. Tenga mucho cuidado de considerar las cargas de sobretensión transitoria en la capacidad de la fuente de alimentación como se describió anteriormente.

Aplicación/equipo	Vatios de inicio calculados*	Adicional calculado Vatios de inicio*
Sitio de trabajo		
Destornillador eléctrico 10 mm (3/8")	600	1 000
Lámpara de trabajo	1 000	1 000
Sierra recíproca	960	1 920
Cierra circular 184 mm (7-1/4")	1 400	2 300
Sierra de inglete 254 mm (10")	1 800	2 800
Compresor de aire 1/4 caballos de fuerza	970	1 600
Pistola a presión 1/3 caballos de fuerza	600	1 200
Radio	50	50
Cargador estándar M18™/M12™ (48-59-1812)	60	60
Cargador rápido M18™/M12™ (48-59-1808)	75(M12™) 120 (M18™)	75(M12™) 120 (M18™)
Estilo de vida		
Microonda	1 000	1 000
Televisión	190	190
Receptor satelital	250	250
Ventilador portátil	40	120
Calentador	1 300	1 300
Guirnaldas de luces	50-150	50-150
Computadora portátil	50-150	50-150
Tableta	15	15
Teléfono celular	5	5
*El vataje enumerado es un aproximado. Revise el vataje real de la herramienta o equipo.		

Armado de la herramienta

Las herramientas MX FUEL™ deben armarse antes de su uso. Incluso con la batería insertada, el gatillo y las funciones de la herramienta no operarán hasta que se arme la herramienta.

Para armar la herramienta:

1. Inserte la batería.
2. Presione el botón Armar. El ícono de MX FUEL™ se encenderá y el gatillo y las luces LED podrán operarse.
NOTA: El ventilador interno operará cada vez que la máquina esté en uso.
3. Oprima y sostenga el botón de ARMADO por dos segundos para desarmar (apagar) la máquina. El ícono de MX FUEL™ se apagará.
NOTA: El ventilador interno continuará su operación por un tiempo corto después de haber apagado la máquina.

Luces LED con indicador de combustible integrado y tonos de alerta

Las luces LED con indicador de combustible integrado muestran los niveles de la batería en tiempo real para su batería MX correspondiente. Cuando la máquina detecta una condición de batería baja, una batería sin carga, una sobrecarga o una condición de sobrecalentamiento, se le alertará al usuario mediante tonos audibles. Investigue la causa principal de los tonos para continuar el uso.

Condiciones de sobrecarga y sobrecalentamiento

Cuando ocurre una condición de sobrecarga o sobrecalentamiento, la máquina producirá un tono único y se encenderá el icono correspondiente. Tome la acción correcta, como apagar o reducir la carga de la máquina, o permitirle a la máquina descansar (enfriarse) antes de continuar el uso.

Funcionamiento en clima frío

Las baterías de litio-ion de MILWAUKEE están diseñadas para funcionar en temperaturas debajo del punto de congelación. La máquina ofrece una potencia máxima de salida de 3 600 W/1 800 W a menos de -7° C (20° F). La máquina ofrece una potencia máxima de 1,000 W en temperaturas que oscilan entre -7° C a -20° C (20° F a -4° F). Si se supera el límite de 1 000 W, se escuchará un tono y se activará 1 de las luces LED del indicador de batería. Para reiniciar la máquina y la batería, desconecte la máquina de la fuente de alimentación de CA, retire la batería y vuelva a colocarla en su lugar.

ONE-KEY™

Para obtener más información acerca de la funcionalidad de ONE-KEY™ para esta herramienta, visite milwaukeeetool.com/One-Key. Para descargar la aplicación ONE-KEY™, visite la App Store o Google Play desde su dispositivo inteligente.

Indicador ONE-KEY™	
Azul fijo	El modo inalámbrico está activo y listo para configurar a través de la aplicación ONE-KEY™.
Azul intermitente	La herramienta tiene una comunicación activa con la aplicación ONE-KEY™.
Rojo intermitente	La herramienta tiene activo el bloqueo de seguridad y sólo podrá desbloquearla el dueño a través de la aplicación ONE-KEY™.

OPERACIÓN DEL CARGADOR

⚠️ ADVERTENCIA Cargue únicamente baterías MILWAUKEE de iones de litio de MX™ en el cargador MILWAUKEE para baterías de iones de litio de MX™. Otros tipos de baterías podrían ocasionar lesión y daño personal.

Cuándo cambiar la batería

Quite la batería de la herramienta para cargarla cuando le resulte conveniente a usted y a su trabajo. Las baterías de iones de litio MILWAUKEE no desarrollan una "memoria" cuando se cargan después de solamente una descarga parcial. No es necesario descargar completamente la batería antes de colocarla en el cargador.

- Utilice el indicador de carga (en la herramienta o la batería) para determinar cuándo necesita cargar la batería de iones de litio de MILWAUKEE.
- Puede "cargar hasta el tope" la batería antes de comenzar una tarea importante o un día en el que se va a usar durante mucho tiempo.
- La única vez que es necesario cargar la batería de iones de litio MILWAUKEE es cuando la batería se ha descargado por completo. Para indicar el final de la carga, la energía a la herramienta descenderá rápidamente, proporcionándole justo la energía necesaria para terminar de realizar un corte, taladrar un agujero o introducir un afianzador. Cambie la batería según sea necesario.

Cómo cargar la batería

Conecte la lámpara a un tomacorriente de 120 voltios. Las baterías no se cargarán si el cargador de la base de la lámpara no está conectado. Alinee la batería con el compartimiento e inserte la batería en el cargador tanto como sea posible.

- Cuando se inserte una batería en el cargador, los LED indicarán lo siguiente:



Rojo continuo: Cargando



Luz verde continua: Carga completa



Rojo parpadeando: La batería está demasiado caliente/fría



La carga comenzará cuando la batería alcance la temperatura de carga correcta



Luz verde/roja parpadeando: Batería dañada o defectuosa

- La siguiente batería que se coloque en el cargador empezará a cargarse cuando la batería anterior haya completado su carga.
- Una batería completamente descargada con una temperatura interna dentro del rango normal se terminará de cargar en entre 45 y 90 minutos, dependiendo de la batería y la temperatura interna del cargador.
- Las baterías con ciclado frecuente pueden tardar más tiempo en cargarse por completo.
- Las luces del Indicador de combustible aparecen a medida que se está cargando, indicando cuánta carga tiene el paquete. El indicador de combustible se apagará cuando la carga esté completa.
- El cargador mantendrá la batería completamente cargada si se deja en el cargador.

• Si la luz indicadora parpadea en rojo y verde, cerciórese de que la batería está bien asentada en el compartimiento. Extraiga la batería y reintrodúzcala. Si la luz continúa parpadeando en rojo y verde, es posible que la batería esté demasiado caliente, demasiado fría o húmeda. Deje que la batería se enfríe, se caliente o se seque, y reintrodúzcala. Si el problema persiste, póngase en contacto con un centro de servicio MILWAUKEE.

• Si la luz indicadora no se enciende, cerciórese de que la batería está bien asentada en el compartimiento. Extraiga la batería y reintrodúzcala. Si aún no se enciende la luz indicadora, extraiga la(s) batería(s) y desconecte el cargador durante un mínimo de 2 minutos. Después de 2 minutos, vuelva a conectar el cargador e introduzca la batería. Si después de estos intentos la luz indicadora aún no se enciende, póngase en contacto con un centro de servicio MILWAUKEE.

Carga de una batería caliente o fría

La luz indicadora intermitente roja rápido del cargador indica que la temperatura de la batería o cargador está fuera del rango de carga. Una vez que la batería o cargador está dentro del rango de carga aceptable, se producirá la carga normal y la luz roja será continua. Si está caliente o fría, la batería puede tardar más tiempo en cargarse.

Estado de carga de iones de litio

Temperatura del paquete de batería	Luz indicadora roja del cargador	Estado de carga
Demasiado caliente	Intermitente	No está cargando
Temperatura apropiada	Continua	Carga normal
Demasiado fría	Intermitente	No está cargando

MANTENIMIENTO

⚠ ADVERTENCIA Para reducir el riesgo de una lesión, desconecte siempre la herramienta antes de darle cualquier mantenimiento. Nunca desarme la herramienta ni trate de hacer modificaciones en el sistema eléctrico de la misma. Acuda siempre a un Centro de Servicio MILWAUKEE para TODAS las reparaciones. Para reducir el riesgo de incendio, lesiones personales y daños al producto debido a un cortocircuito, no sumerja nunca la herramienta, el paquete de baterías o el cargador en líquido ni permita que fluya un fluido dentro de ellos. Los fluidos corrosivos o conductivos, como el agua de mar, ciertos productos químicos industriales y blanqueadores o lejías que contienen, etc., pueden causar un cortocircuito.

Mantener la fuente de alimentación

Mantenga su fuente de alimentación en buen estado mediante la adopción de un programa de mantenimiento regular. Si la fuente de alimentación no funciona correctamente, devuélvala a un centro de servicio de MILWAUKEE para su reparación.

ONE-KEY™

⚠ ADVERTENCIA Riesgo de quemadura química. Este dispositivo contiene una batería de botón/tipo moneda de litio. Una batería nueva o usada puede causar quemaduras internas graves y causar la muerte tan solo en 2 horas si se ingiere o entra al cuerpo. Siempre asegure la cubierta de la batería. Si no se cierra con firmeza, deje de usar el dispositivo, retire las baterías y manténgala alejada de los niños. Si cree que las baterías pudieron ser ingeridas o entraron al cuerpo, busque atención médica de inmediato.



Batería interna

Se usa una batería interna para facilitar toda la funcionalidad de ONE-KEY™.

Para reemplazar la batería:

1. Retire el paquete de baterías.
2. Retire el tornillo y abra la tapa de la batería.
3. Saque el panel de las baterías y retire la batería vieja. Mantenga fuera del alcance de los niños y deseche correctamente.
4. Inserte la nueva batería (3V CR2032), con el lado positivo hacia arriba.
5. Cierre la tapa de la batería y apriete el tornillo (s) con firmeza.

⚠ ADVERTENCIA Para reducir el riesgo de lesiones, descarga eléctrica o daño a la herramienta, nunca la sumerja en líquidos ni permita que estos fluyan dentro de la misma.

Limpieza

Limpie el polvo y suciedad de las ventilas. Mantenga los mangos limpios, secos y libres de aceite o grasa. Use solo jabón neutro y un trapo húmedo para limpiar, ya que algunos substancias y solventes limpiadores son dañinos a los plásticos y partes aislantes. Algunos de estos incluyen: gasolina, turpentina, thinner, lacas, thinner para pinturas, solventes para limpieza con cloro, amoníaco y detergentes caseros que tengan amonía. Nunca usa solventes inflamables o combustibles cerca de una herramienta.

Limpieza de la batería y el compartimiento
Mantenga las conexiones y superficies de la batería que están entre esta y la herramienta libres de residuos y materiales.

No tener limpias las superficies podrá causar una desalineación o daños en la conexión de la batería.

Reparaciones

Si su herramienta, batería o cargador están dañados, envíela al centro de servicio autorizado más cercano.

ACCESORIOS

⚠ ADVERTENCIA Utilice sólo los accesorios específicamente recomendados. Otros accesorios puede ser peligroso.

Para una lista completa de accesorios, visite nuestro sitio en Internet: www.milwaukeeool.com o póngase en contacto con un distribuidor.

COMUNICACIÓN INALÁMBRICA

Para productos que cuentan con funciones de comunicación inalámbrica, incluida ONE-KEY™. De conformidad con la parte 15.21 del Reglamento de FCC, no modifique este producto. La modificación podría ocasionar que se anule su autorización para operar el producto. Este dispositivo cumple con lo dispuesto en la parte 15 del Reglamento de la FCC así como las normas RSS de exención de licencia de ISED-Canada. La operación está sujeta a las siguientes dos condiciones: 1) Este dispositivo no debe ocasionar interferencia nociva y 2) este dispositivo debe aceptar cualquier interferencia que se reciba, incluyendo la interferencia que pueda ocasionar operación no deseada.

SOPORTE DE SERVICIO - MEXICO

CENTRO DE ATENCIÓN A CLIENTES

Techtronix Industries Mexico, S.A. de C.V.

Av. Presidente Masarik 29 Piso 7

11560 Polanco V Seccion

Miguel Hidalgo, Distrito Federal, México

01 (800) 030-7777 o (55) 4160-3540

Lunes a Viernes (9am a 6pm)

O contáctanos en www.milwaukeetool.com.mx

GARANTÍA LIMITADA - E.U.A. Y CANADÁ

Cada el producto, batería y cargador MX FUEL™ de MILWAUKEE únicamente está garantizados para el comprador original únicamente de que no tengan material y mano de obra defectuosos. Conforme a ciertas excepciones, MILWAUKEE reparará o reemplazará cualquier pieza de el producto, batería y cargador MX FUEL™ que tenga defectos de material o mano de obra según lo determine MILWAUKEE mediante una revisión, por un periodo de dos (2) años después de la fecha de compra. Al devolver el producto, batería y cargador MX FUEL™ a un Centro de Servicio de la fábrica de MILWAUKEE o a una Estación de Servicio Autorizada de MILWAUKEE, se requiere que el flete esté pagado por adelantado y asegurado. Para consultar información acerca del procedimiento de envío adecuado de las baterías, comuníquese al número 1.800.SAWDUST (1.800.729.3878) o visite el sitio web www.milwaukeetool.com. Se debe incluir una copia del comprobante de compra con el producto devuelto. Esta garantía no aplica a daños que MILWAUKEE determine que son ocasionados por reparaciones o intentos de reparaciones realizados por una persona que no sea personal autorizado de MILWAUKEE, uso indebido, alteraciones, maltrato, desgaste normal, falta de mantenimiento o accidentes.

Desgaste normal: Muchos productos MX FUEL™ necesitan la sustitución periódica de sus piezas así como de mantenimiento para brindar su máximo rendimiento. Esta garantía no cubre reparaciones cuando el uso normal haya agotado la vida útil de una pieza que incluye, entre otros, las bandas de accionamiento y de asistencias, las poleas, las bridas de disco, las juntas de vacío, las empuñaduras sin herramientas, los broches de guía, los patines, los acopladores de accionamiento, las zapatas de goma, la alimentación automática, los bloques estabilizadores, las ruedas, las ruedas de transportación, los cables, los anillos tóricos, los sellos, los protectores, las hojas de accionamiento, los pistones, los percutores, los levantadores, los portaherramientas y las arandelas de cubierta de los protectores. No se requiere el registro de la garantía para obtener la garantía correspondiente en un producto, batería y cargador MX FUEL™.

LA ACEPTACIÓN DE LOS RESARCIMIENTOS EXCLUSIVOS DE REPARACIÓN Y REEMPLAZO AQUÍ DESCRITOS ES UNA CONDICIÓN DEL CONTRATO PARA LA COMPRA DE TODO PRODUCTO DE MILWAUKEE. SI USTED NO ACEPTA ESTA CONDICIÓN, NO DEBE COMPRAR EL PRODUCTO. MILWAUKEE NO SERÁ RESPONSABLE EN NINGÚN CASO DE DAÑOS INCIDENTALES, ESPECIALES, EMERGENTES O PUNITIVOS NI DE NINGÚN

COSTO, HONORARIOS LEGALES, GASTOS, PÉRDIDAS O DEMORAS ALEGADOS COMO CONSECUENCIA DE ALGÚN DAÑO, FALLA O DEFECTO EN NINGÚN PRODUCTO, INCLUYENDO, ENTRE OTROS, RECLAMACIONES POR PÉRDIDA DE UTILIDADES. ALGUNOS ESTADOS NO PERMITEN LA EXCLUSIÓN O LIMITACIÓN DE RESPONSABILIDAD POR DAÑOS INCIDENTALES O EMERGENTES, POR LO QUE LA ANTERIOR LIMITACIÓN O EXCLUSIÓN PODRÍA NO APLICARSE A SU CASO. ESTA GARANTÍA ES EXCLUSIVA Y REEMPLAZA TODAS LAS DEMÁS GARANTÍAS EXPRESAS, ESCRITAS U ORALES. EN LA MEDIDA EN QUE LO PERMITA LA LEY, MILWAUKEE DESCONOCE CUALQUIER GARANTÍA IMPLÍCITA, INCLUYENDO, ENTRE OTRAS, CUALQUIER GARANTÍA IMPLÍCITA DE COMERCIABILIDAD O IDEONEIDAD PARA UN FIN O USO ESPECÍFICO. EN LA MEDIDA EN QUE DICHO DESCARGO NO ESTÉ PERMITIDO POR LA LEY, DICHAS GARANTÍAS IMPLÍCITAS ESTÁN LIMITADAS A LA DURACIÓN DE LA GARANTÍA EXPRESA CORRESPONDIENTE QUE SE DESCRIBIÓ CON ANTERIORIDAD. ALGUNOS ESTADOS NO PERMITEN LIMITACIONES EN DURACIÓN DE UNA GARANTÍA IMPLÍCITA, POR LO QUE LA ANTERIOR LIMITACIÓN PUDIERA NO APLICAR A SU CASO. ESTA GARANTÍA LE DA DERECHOS LEGALES ESPECÍFICOS Y USTED PODRÍA ADEMÁS TENER OTROS DERECHOS QUE VARIAN DE UN ESTADO A OTRO.

Esta garantía aplica a productos vendidos únicamente en los EE. UU. y Canadá.

Consulte la sección "Buscar centro de servicio" en la sección de "Piezas y servicio" del sitio web de MILWAUKEE en <http://www.milwaukeetool.com> o llame al número 1.800.SAWDUST (1.800.729.3878) para localizar su centro de servicio más cercano para fines de servicio, con y sin garantía, en un producto, batería y cargador MX FUEL™.

PÓLIZA DE GARANTÍA - VALIDA SOLO PARA MÉXICO, AMÉRICA CENTRAL Y EL CARIBE

La garantía de TECHTRONIX INDUSTRIES es por 2 años a partir de la fecha original de compra.

Esta tarjeta de garantía cubre cualquier defecto de material y mano de obra en ese Producto.

Para hacer válida esta garantía, presente esta tarjeta de garantía, cerrada/sellada por el distribuidor o la tienda donde compró el producto, al Centro de Servicio Autorizado (ASC). O, si esta tarjeta no se ha cerrado/sellado, presente la prueba original de compra a ASC. Llame 55 4160-3547 para encontrar el ASC más cercano, para servicio, partes, accesorios o componentes.

Procedimiento para hacer válida esta garantía

Lleve el producto a ASC, junto con la tarjeta de garantía cerrada/sellada por el distribuidor o la tienda donde compró el producto, y cualquier pieza o componente defectuoso se reemplazará sin costo para usted. Cubriremos todos los costos de flete con relación a este proceso de garantía

Excepciones

Esta garantía no tendrá validez en las siguientes situaciones:

- Cuando el producto se use de manera distinta a la que indica el manual del usuario final o de instrucciones.
- Cuando las condiciones de uso no sean normales.
- Cuando otras personas no autorizadas por TECHTRONIX INDUSTRIES modifiquen o reparen el producto.

Nota: si el juego de cables está dañado, tiene que reemplazarse en un Centro de Servicio Autorizado para evitar riesgos eléctricos.

CENTRO DE SERVICIO Y ATENCIÓN

Llame al 55 4160-3547

IMPORTADO Y COMERCIALIZADO POR

TECHTRONIX INDUSTRIES, MÉXICO, S.A. DE C.V.

Miguel de Cervantes Saavedra No.301 Piso 5, Torre Norte

11520 Colonia Ampliación Granada

Miguel Hidalgo, Ciudad de Mexico, Mexico

Modelo: _____

Fecha de Compra: _____

Sello del Distribuidor: _____

MILWAUKEE TOOL
13135 West Lisbon Road
Brookfield, WI 53005 USA

58140207d2
02/21

01609000101Q-02(A)
Printed in China